

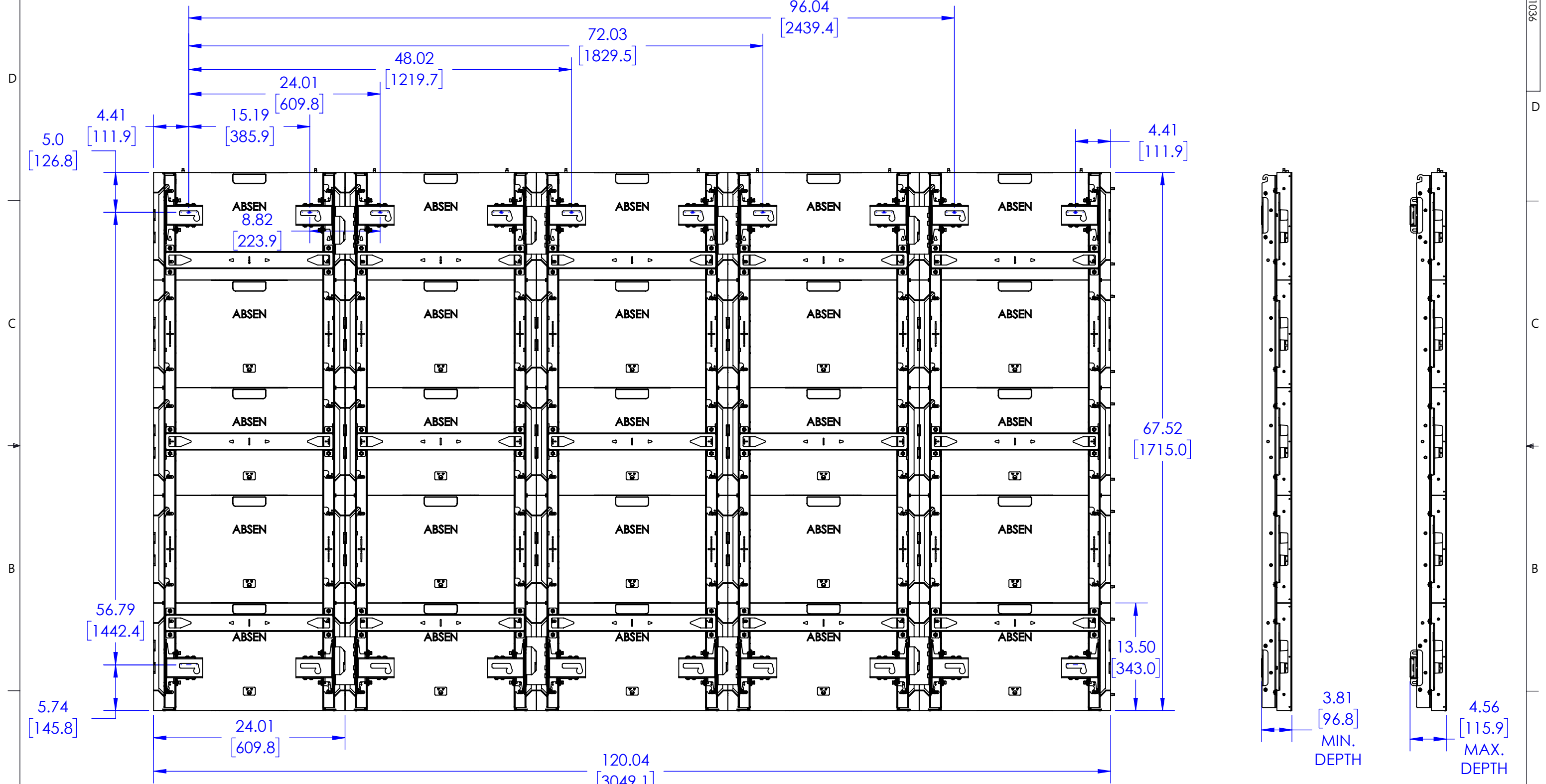
THE INFORMATION AND DESIGNS CONTAINED IN THIS DRAWING ARE CONFIDENTIAL AND THE PROPRIETARY PROPERTY OF LEGRAND | AV. NEITHER THIS DESIGN NOR ANY INFORMATION CONTAINED IN THIS DRAWING MAY BE REPRODUCED OR DISCLOSED TO OTHERS WITHOUT THE EXPRESS WRITTEN CONSENT OF LEGRAND | AV.

CAD GENERATED DRAWING, DO NOT MANUALLY UPDATE.					6436 CITY WEST PKWY EDEN PRAIRIE MN, 55344 PHONE: 866-977-3901 FAX: 877-894-6918	
DRAWN BY	JAB	11/11/2019	DESCRIPTION			
ENG APPROVAL			TIL1X5AP 5 X 5 CONFIGURATION			
MFG APPROVAL			MODEL NO.			
QA APPROVAL			TIL1X5AP (5X)			
SHEET 1 OF 4		SCALE	SIZE	DWG. NO.	REV.	
		1:12	B	TECH-001036	00	

SHOWN WITH THE ABSEN ACCLAIM PRO, PLUS PANELS

STATUS: MM 11/11/2019 - RELEASED ON ECO: 500020887

TECH-001036



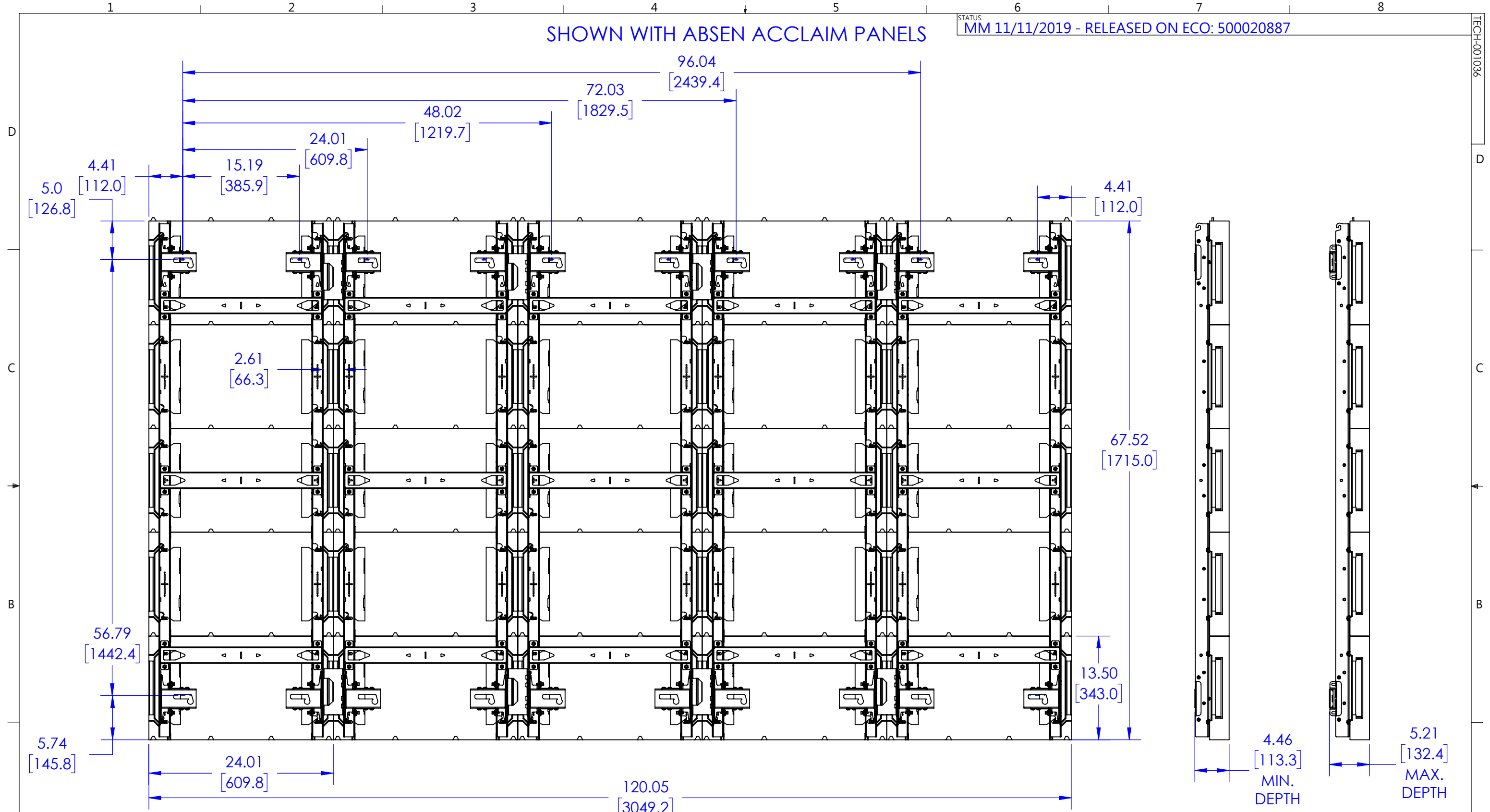
THE INFORMATION AND DESIGNS CONTAINED IN THIS DRAWING ARE CONFIDENTIAL AND THE PROPRIETARY PROPERTY OF LEGRAND | AV. NEITHER THIS DESIGN NOR ANY INFORMATION CONTAINED IN THIS DRAWING MAY BE REPRODUCED OR DISCLOSED TO OTHERS WITHOUT THE EXPRESS WRITTEN CONSENT OF LEGRAND | AV.

CAD GENERATED DRAWING, DO NOT MANUALLY UPDATE.					6436 CITY WEST PKWY EDEN PRAIRIE MN, 55344 PHONE: 866-977-3901 FAX: 877-894-6918	
DRAWN BY	JAB	11/11/2019	DESCRIPTION			
ENG APPROVAL			TIL1X5AP 5 X 5 CONFIGURATION			
MFG APPROVAL			MODEL NO.			
QA APPROVAL			TIL1X5AP (5X)			
SHEET 2 OF 4		SCALE	SIZE	DWG. NO.	REV.	
		1:12	B	TECH-001036	00	

SHOWN WITH ABSEN ACCLAIM PANELS

STATUS: MM 11/11/2019 - RELEASED ON ECO: 500020887

TECH-001036



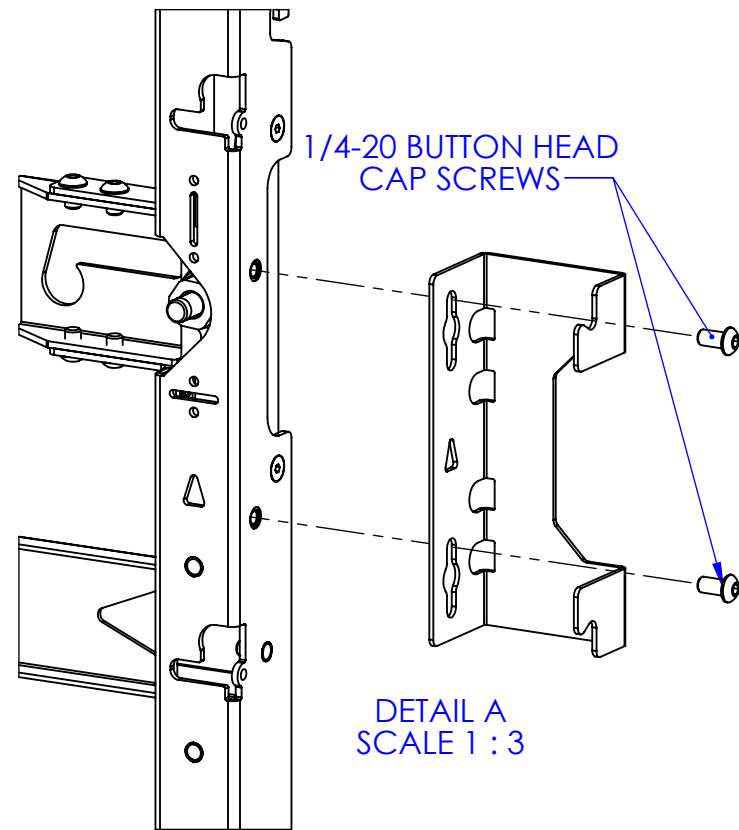
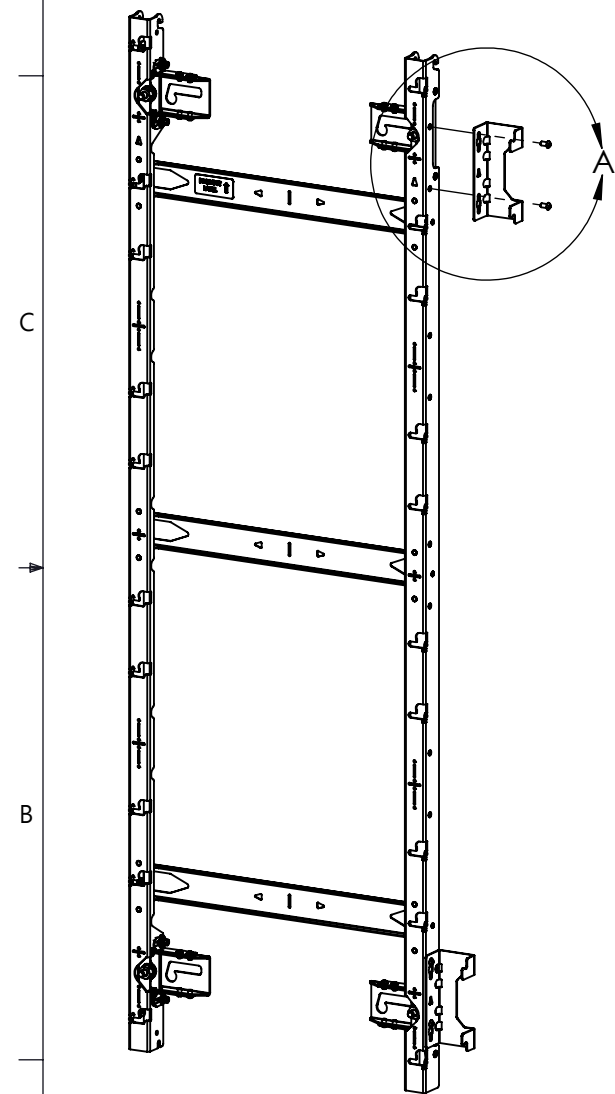
THE INFORMATION AND DESIGNS CONTAINED IN THIS DRAWING ARE CONFIDENTIAL AND THE PROPRIETARY PROPERTY OF LEGRAND | AV. NEITHER THIS DESIGN NOR ANY INFORMATION CONTAINED IN THIS DRAWING MAY BE REPRODUCED OR DISCLOSED TO OTHERS WITHOUT THE EXPRESS WRITTEN CONSENT OF LEGRAND | AV.

CAD GENERATED DRAWING, DO NOT MANUALLY UPDATE.					6436 CITY WEST PKWY EDEN PRAIRIE MN, 55344 PHONE: 866-977-3901 FAX: 877-894-6918	
DRAWN BY	JAB	11/11/2019	DESCRIPTION			
ENG APPROVAL			TIL1X5AP 5 X 5 CONFIGURATION			
MFG APPROVAL			MODEL NO.			
QA APPROVAL			TIL1X5AP (5X)			
SHEET 3 OF 4		SCALE	SIZE	DWG. NO.	REV.	
		1:12	B	TECH-001036	00	

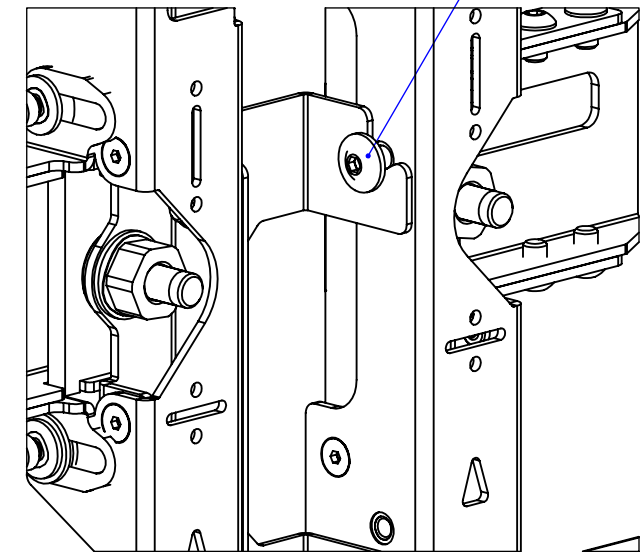
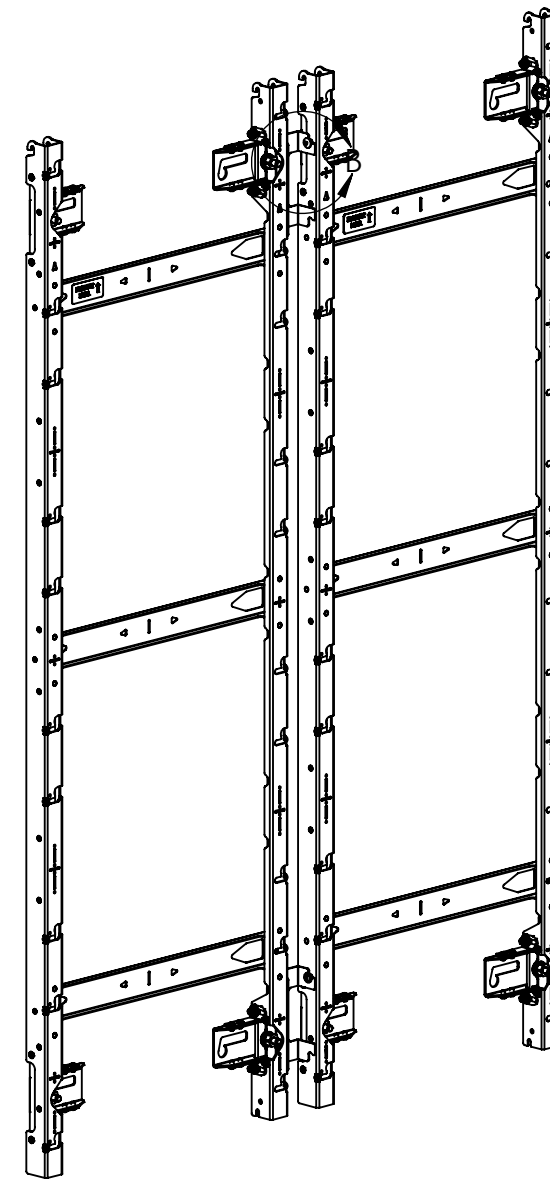
WHEN INSTALLING SIDE BRACKETS, IT IS USUALLY EASIER TO INSTALL THE BRACKETS PRIOR TO HANGING THE MOUNT SECTIONS ON THE WALL. THESE BRACKETS CAN BE ATTACHED ON EITHER THE LEFT OR RIGHT SIDE.

WHEN INSTALLING THE NEXT MOUNT SECTION, LOOSELY INSTALL THE 1/4-20 BUTTON HEAD CAP SCREW WITH A WASHER AND HANG THE NEXT SECTION ON THE BRACKET. ADJUST AS NECESSARY BEFORE ATTACHING TO THE WALL.

LOOSELY INSTALL THE 1/4-20 BUTTON HEAD CAP SCREW AND WASHER. THEN SET THE NEXT SECTION INTO PLACE




THE SCREWS CAN BE LOOSELY INSTALLED AND THE BRACKET HUNG UTILIZING THE TEARDROP SLOTS



DETAIL B SCALE 1:2

THE INFORMATION AND DESIGNS CONTAINED IN THIS DRAWING ARE CONFIDENTIAL AND THE PROPRIETARY PROPERTY OF LEGRAND | AV. NEITHER THIS DESIGN NOR ANY INFORMATION CONTAINED IN THIS DRAWING MAY BE REPRODUCED OR DISCLOSED TO OTHERS WITHOUT THE EXPRESS WRITTEN CONSENT OF LEGRAND | AV.

CAD GENERATED DRAWING, DO NOT MANUALLY UPDATE.					6436 CITY WEST PKWY EDEN PRAIRIE MN, 55344 PHONE: 866-977-3901 FAX: 877-894-6918	
DRAWN BY	JAB	11/11/2019	DESCRIPTION			
ENG APPROVAL			TIL1X5AP 5 X 5 CONFIGURATION			
MFG APPROVAL			MODEL NO.			
QA APPROVAL			TIL1X5AP (5X)			
SHEET 4 OF 4		SCALE	SIZE	DWG. NO.	REV.	
		1:12	B	TECH-001036	00	