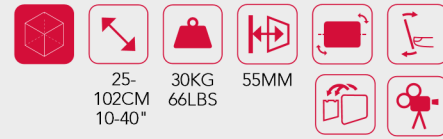


LUNAR 1
Col. ● Code 06105 ○ Code 16105
VESA 100x100 / 200x100 / 200x200



LUNAR 2
Col. ● Code 06107 ○ Code 16107
VESA 100x100 / 200x100 / 200x200



Dynamic Wall

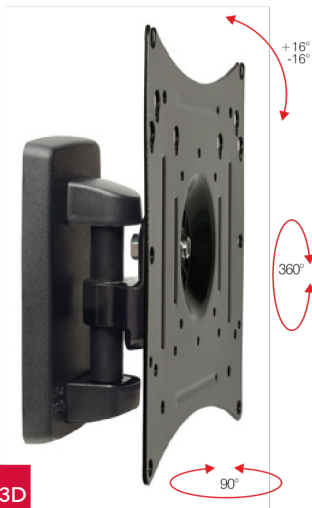
Lunar 1



Supporto murale ad uno snodo inclinabile per plasma, lcd e led tv.



Inclinable wall bracket with one articulation for plasma, lcd and led tvs.



3D VIEW 3D

Lunar 2

Registered Design



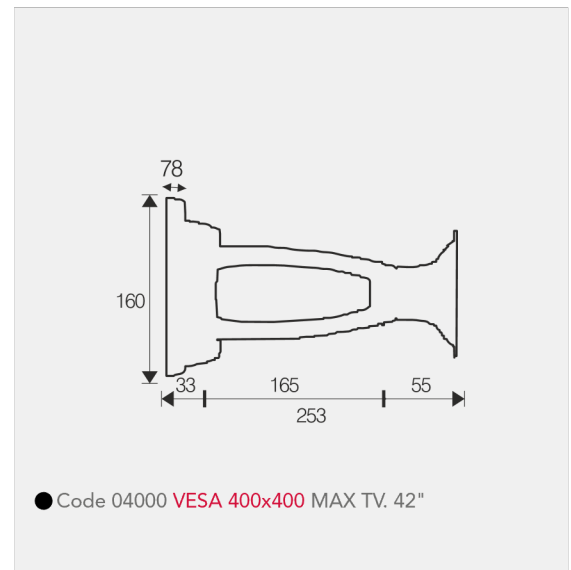
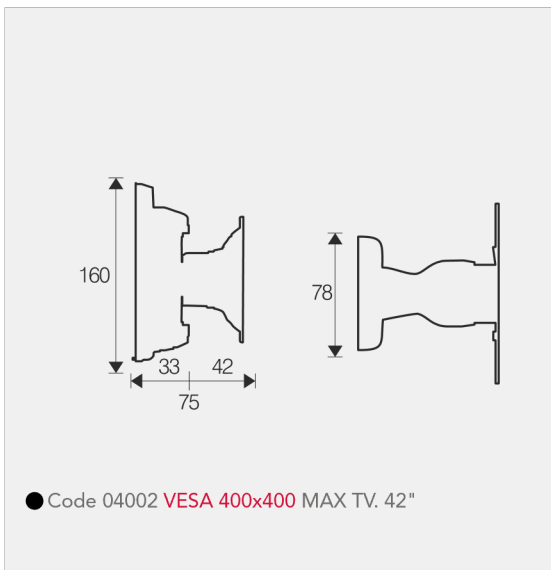
Supporto murale a due snodi inclinabile per plasma, lcd e led tv.



Inclinable wall bracket with two articulations for plasma, lcd and led tv.



3D VIEW 3D



Targeted to Professionals