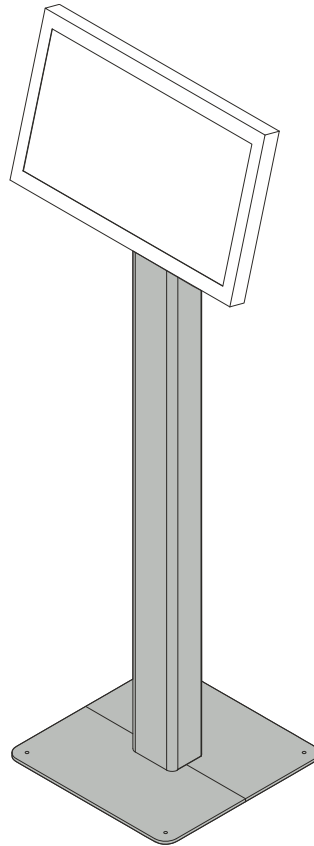


---

# INSTALLATION INSTRUCTIONS

---



---

## Column-mounted Tablet Floor Stand

---

## DISCLAIMER

Legrand | AV and its affiliated corporations and subsidiaries (collectively "Legrand | AV"), intend to make this manual accurate and complete. However, Legrand | AV makes no claim that the information contained herein covers all details, conditions or variations, nor does it provide for every possible contingency in connection with the installation or use of this product. The information contained in this document is subject to change without notice or obligation of any kind. Legrand | AV makes no representation of warranty, expressed or implied, regarding the information contained herein. Legrand | AV assumes no responsibility for accuracy, completeness or sufficiency of the information contained in this document.

Chief® is a registered trademark of Legrand AV Inc.

## DEFINITIONS

**MOUNTING SYSTEM:** A MOUNTING SYSTEM is the primary Chief product to which an accessory and/or component is attached.

**ACCESSORY:** AN ACCESSORY is the secondary Chief product which is attached to a primary Chief product, and may have a component attached or setting on it.

**COMPONENT:** A COMPONENT is an audiovisual item designed to be attached or resting on an accessory or mounting system such as a video camera, CPU, screen, display, projector, etc.



**WARNING:** A WARNING alerts you to the possibility of serious injury or death if you do not follow the instructions.



**CAUTION:** A CAUTION alerts you to the possibility of damage or destruction of equipment if you do not follow the corresponding instructions.



## IMPORTANT SAFETY INSTRUCTIONS



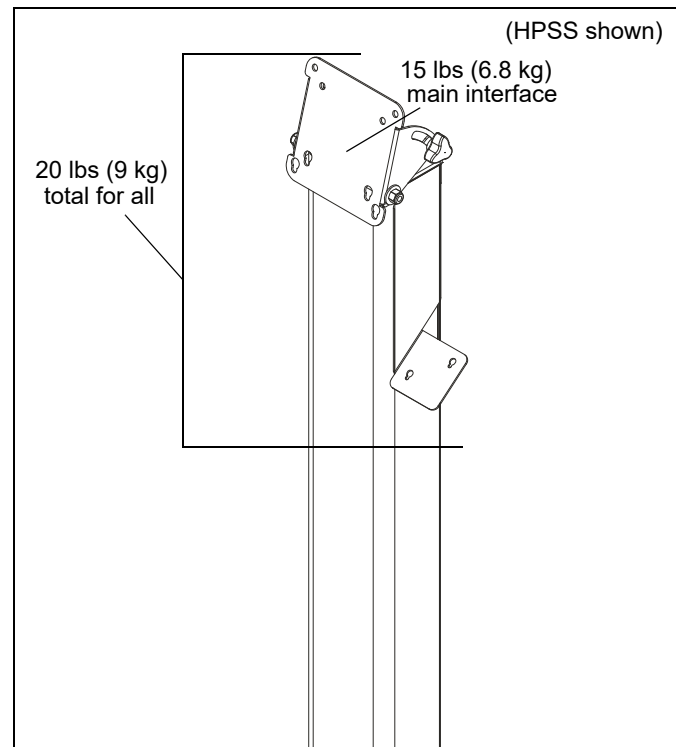
**WARNING:** Failure to read, thoroughly understand, and follow all instructions can result in serious personal injury, damage to equipment, or voiding of factory warranty! It is the installer's responsibility to make sure all mounting systems are properly assembled and installed using the instructions provided.



**WARNING:** Failure to provide adequate structural strength for this mounting system can result in serious personal injury or damage to equipment! It is the installer's responsibility to make sure the structure to which this mounting system is attached can support five times the combined weight of all equipment. Reinforce the structure as required before installing the mounting system.



**WARNING:** Exceeding the weight capacity can result in serious personal injury or damage to equipment! It is the installer's responsibility to make sure the combined weight of all components and accessories attached to mounting system up to (and including) the display does not exceed 15 lbs (6.8 kg) for the main interface or 20 lbs (9 kg) for the entire mount when used with compatible accessories (not included). See Figure below for details.



**WARNING:** Use this mounting system only for its intended use as described in these instructions. Do not use attachments not recommended by the manufacturer.



**WARNING:** Never operate this mounting system if it is damaged. Return the mounting system to a service center for examination and repair.



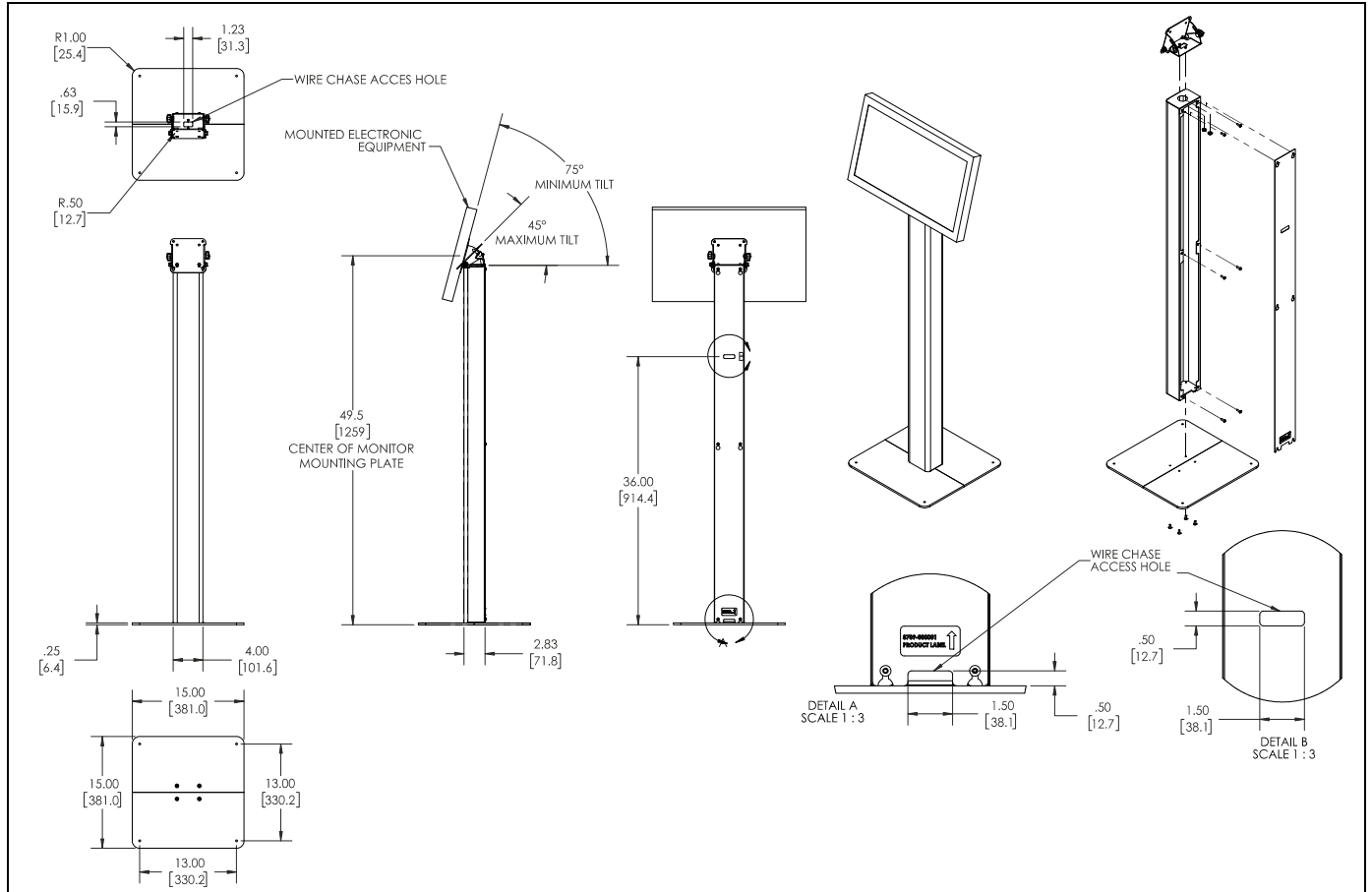
**WARNING:** Do not use this mounting system outdoors.



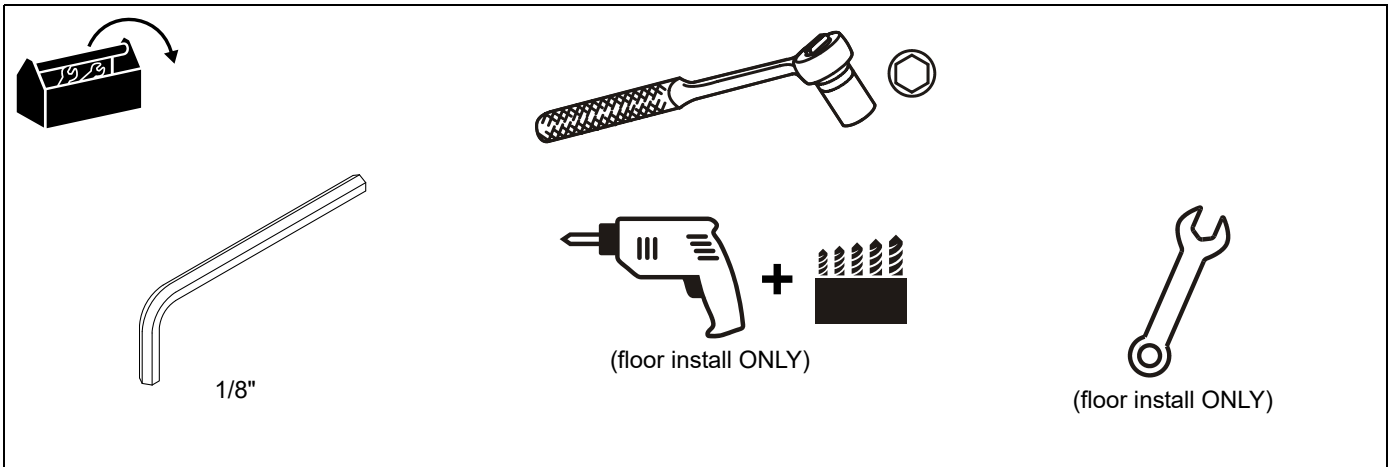
**WARNING:** RISK OF INJURY TO PERSONS! Do not use this mounting system to support video equipment such as televisions or computer monitors.

**--SAVE THESE INSTRUCTIONS--**

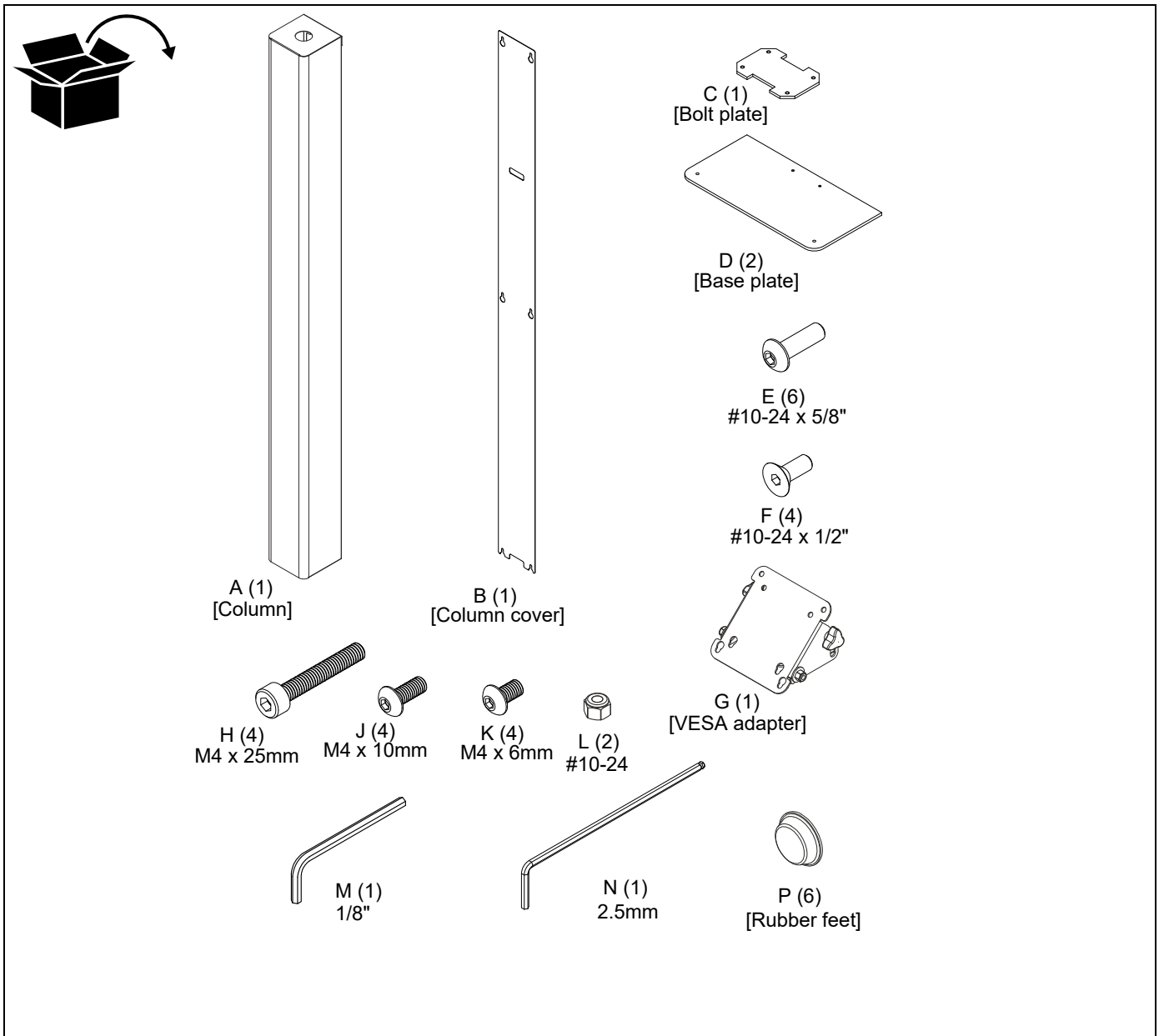
**DIMENSIONS**



### TOOLS REQUIRED FOR INSTALLATION



### PARTS



### Assembly And Installation

1. Partially install six #10-24 x 5/8" button head cap screws (E) into column (A). (See Figure 1)

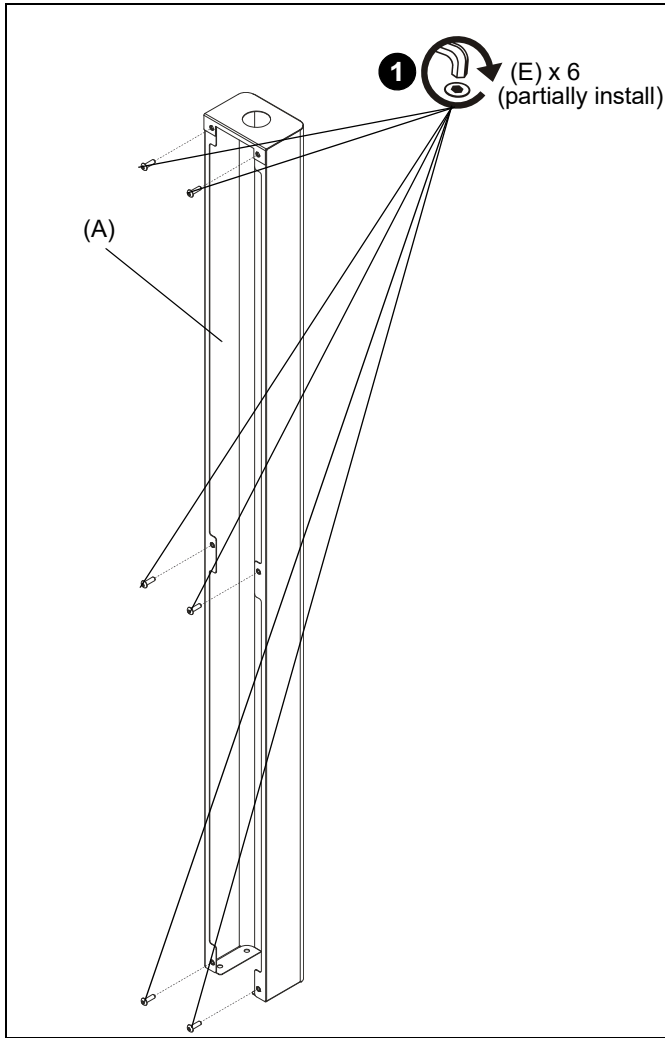


Figure 1

2. Install bolt plate (C) inside column (A) channel. (See Figure 2)
3. Use four #10-24 x 1/2" flat head cap screws (F) to secure two base plates (D) to column (A) and bolt plate (C). (See Figure 2)

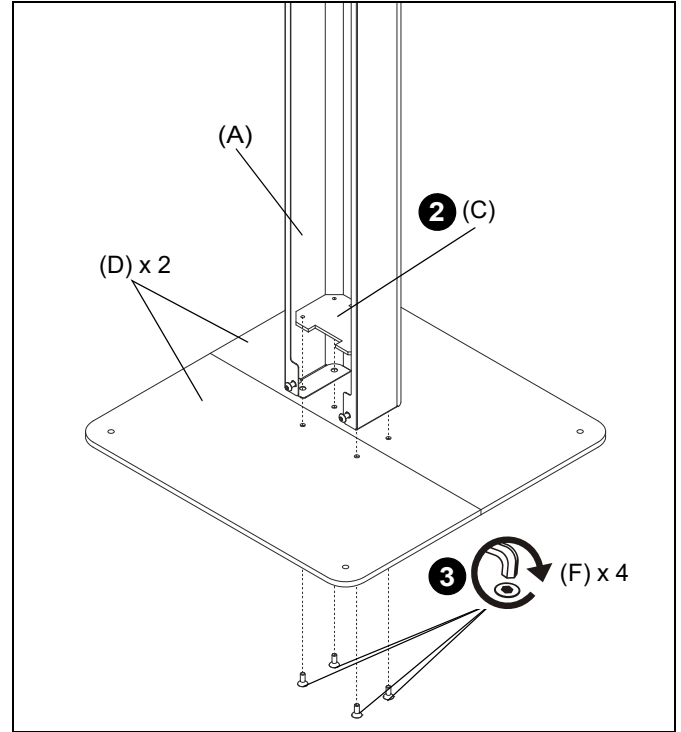


Figure 2



**WARNING:** Exceeding the weight capacity can result in serious personal injury or damage to equipment! It is the installer's responsibility to make sure the combined weight of all components and accessories attached to mounting system up to (and including) the display does not exceed 15 lbs (6.8 kg) for the main interface or 20 lbs (9 kg) for the entire mount when used with compatible accessories (not included). See Figure on page 2 for details.

4. Use two #10-24 lock nuts (L) to install VESA adapter (G) to column (A). (See Figure 3)

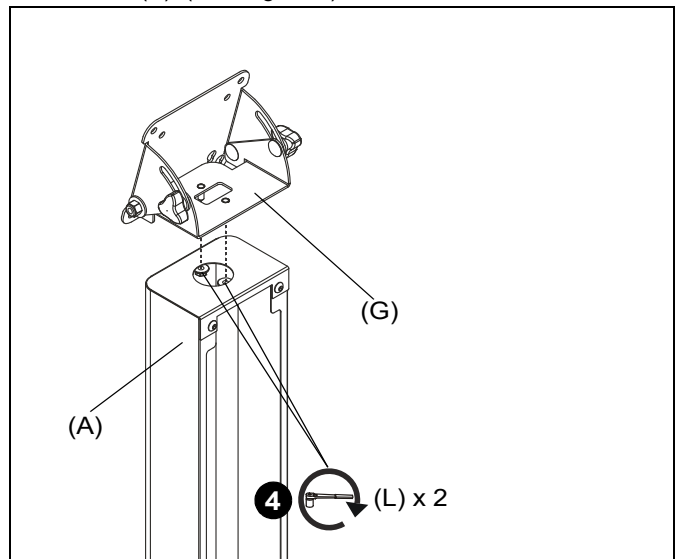


Figure 3

5. Route tablet cord (if applicable) through column (A) and through hole on VESA adapter (G). (See Figure 4)
6. Install column cover (B) onto column (A) making sure keyholes are onto screws and cable is routed through the bottom gap on cover. (See Figure 4)
7. Tighten all screws (F) to secure cover (B) to column (A). (See Figure 4)

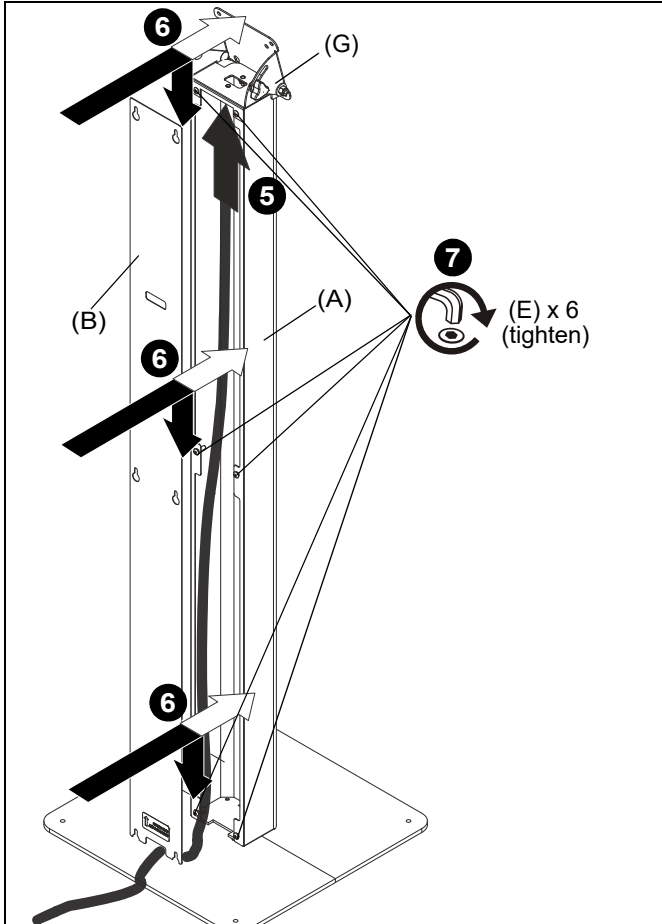


Figure 4

8. Select proper length screw to use for tablet being installed.
9. Use two selected screws (H, J or K) into lower two mounting holes on tablet. (See Figure 5)
10. Insert two installed screws (H, J or K) into lower drop holes on VESA adapter (G). (See Figure 5)

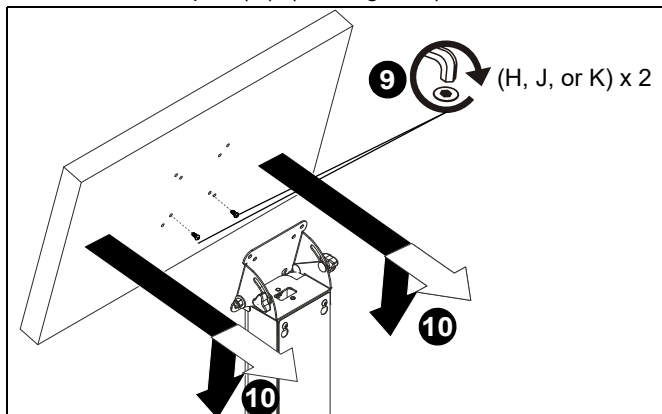


Figure 5

11. Use two selected screws (H, J or K) to secure table to VESA adapter (G). (See Figure 6)

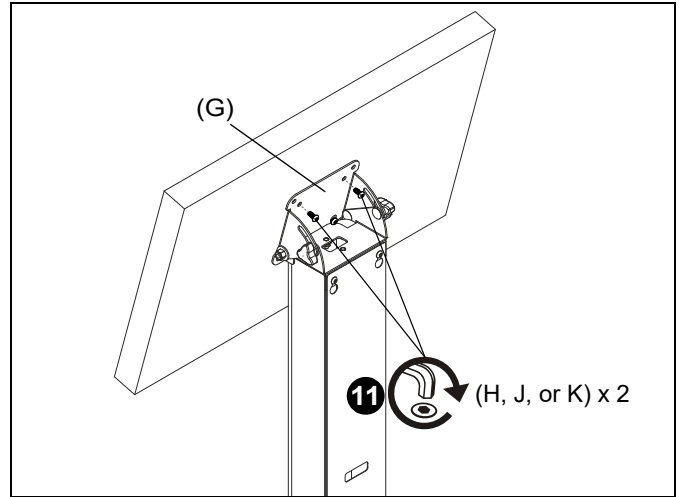


Figure 6

### Cable Management

1. Loosen screws (E) holding cover (B) to column (A) and remove cover (B). (See Figure 7)
2. Route component cable(s) using middle and lower openings on cover (B). (See Figure 7)
3. Reinstall cover (B) and tighten screws (E) to secure cover (B) to column (A). (See Figure 7)

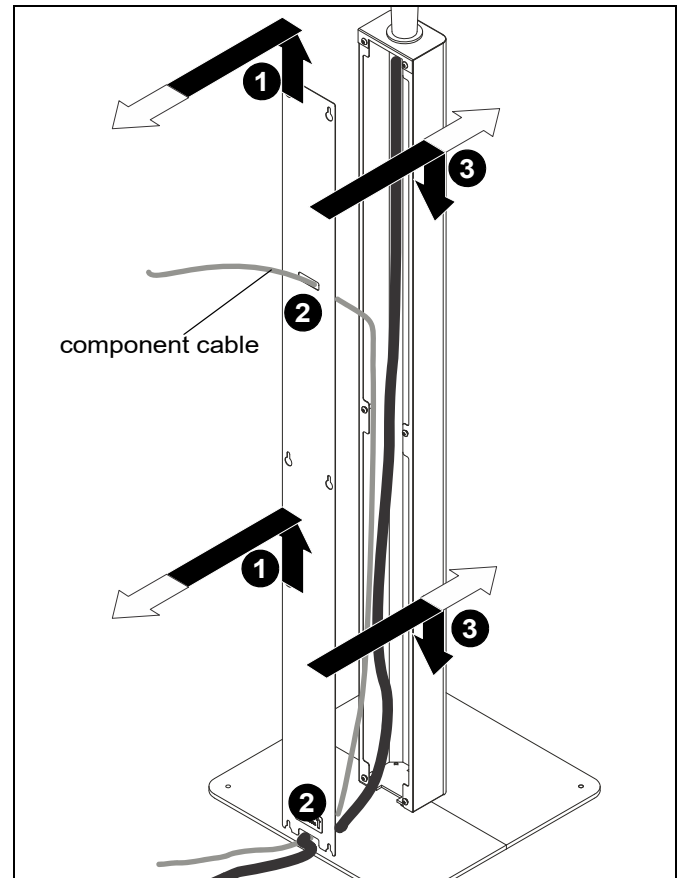


Figure 7

### Bolt to Floor (Optional)

The HFSVS mount may be bolted to the floor for increased security or stability. Hardware is NOT provided for this installation.

**IMPORTANT !** : Base plates (D) must be attached to column (A) and bolt plate (C) before being bolted to floor.

1. Use base plates (D) as a template to mark holes on floor at desired mounting location.
2. Drill holes at marked locations according to instructions of hardware being used for installation. (See Figure 8)
3. Use hardware (not included) to secure base plates (D) to floor. (See Figure 8)

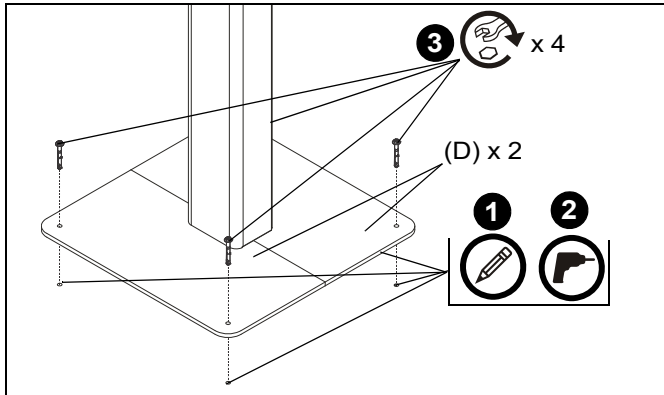


Figure 8

### Tilt Adjustment

1. Loosen tilt adjustment knobs on VESA adapter (G) by turning them counter-clockwise. (See Figure 9)
2. Tilt to desired position. (See Figure 9)
3. Tighten tilt adjustment knobs on VESA adapter (G) by turning them clockwise. (See Figure 9)

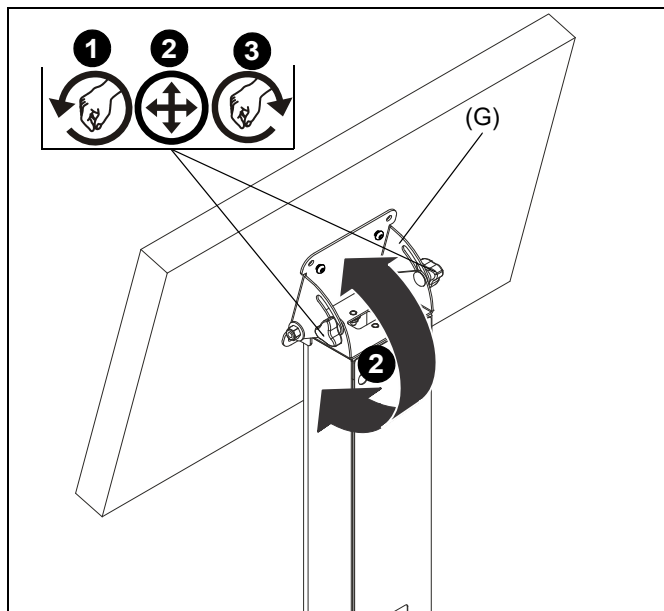


Figure 9

### Rubber Feet Installation (Optional)

**NOTE:** Up to six rubber feet (P) may be installed to bottom of base for increased stability.

1. Remove adhesive from behind rubber feet (P) and install feet on underside of base. (See Figure 10)

**NOTE:** Place two front feet as far forward as possible and two rear feet as far back as possible to maintain stability. Remaining feet can be omitted or placed as desired to stabilize the stand.

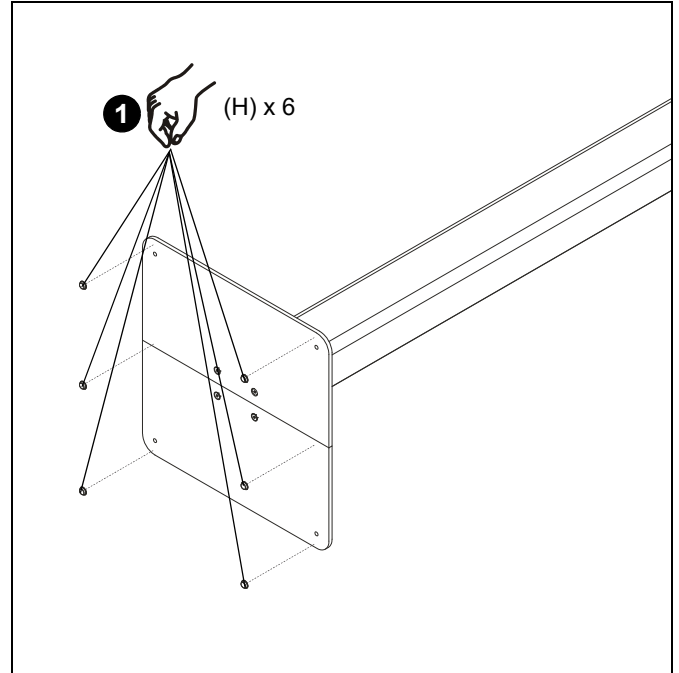


Figure 10



A brand of  **legrand**<sup>®</sup>

8800-003264 Rev01  
©2021 Legrand | AV  
[www.legrandav.com](http://www.legrandav.com)  
02/2021

<b>USA/International</b>	<b>A</b> 6436 City West Parkway, Eden Prairie, MN 55344 <b>P</b> 800.582.6480 / 952.225.6000 <b>F</b> 877.894.6918 / 952.894.6918
<b>Europe</b>	<b>A</b> Franklinstraat 14, 6003 DK Weert, Netherlands <b>P</b> +31 (0) 495 580 852 <b>F</b> +31 (0) 495 580 845
<b>Asia Pacific</b>	<b>A</b> Office No. 918 on 9/F, Shatin Galleria 18-24 Shan Mei Street Fotan, Shatin, Hong Kong <b>P</b> 852 2145 4099 <b>F</b> 852 2145 4477

