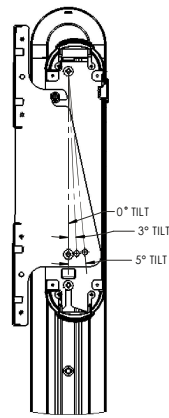
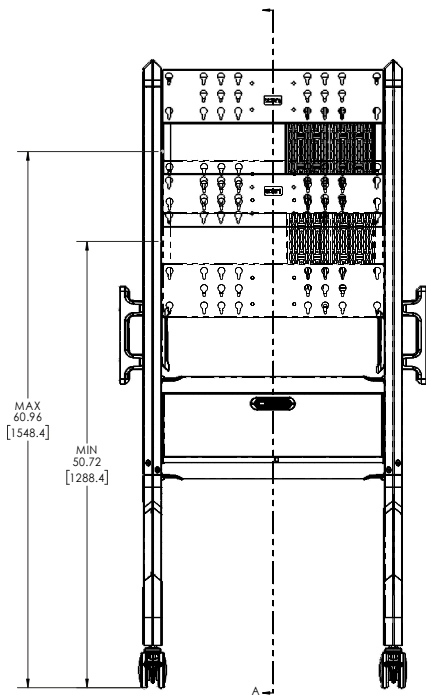
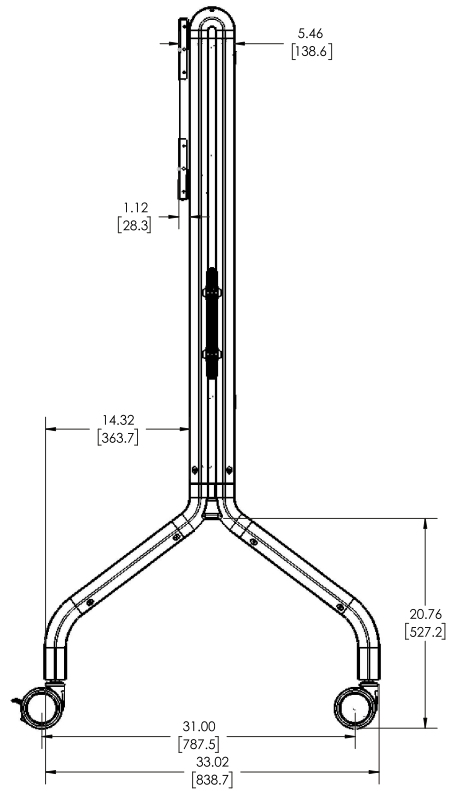
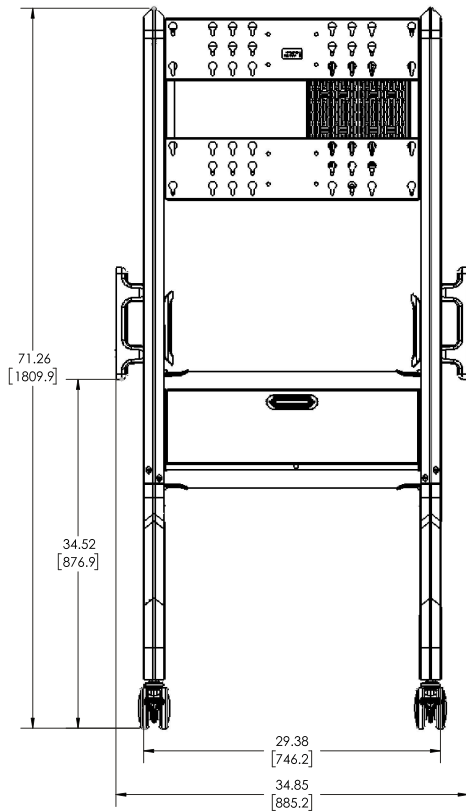
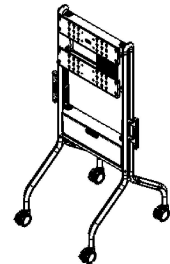


DIMENSIONS



SECTION A-A
SCALE 1 : 5



DIMENSIONS - MOUNTING HOLE LOCATIONS

