

CHIEF®

A brand of  Legrand

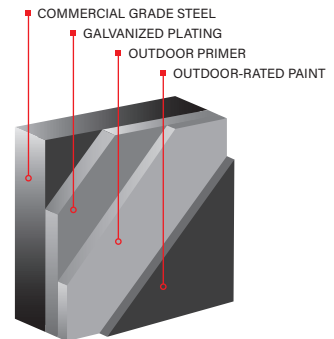


IMPACT™ OUTDOOR KIOSK

Get Out There!

The new Impact™ Outdoor Kiosk adds another level of flexibility to the digital signage enclosure market. This sleek yet robust design features outdoor rated paint, is wind tested up to 120 mph and has convenient AV device storage that is IP54 rated, providing protection against dust and water.

Coming Fall 2022!



WARRANTED



QUALITY
ASSURANCE



STAINLESS STEEL
HARDWARE



WIND TESTED

Optimal Storage Inside for a Clean Look on the Outside

Ample storage area includes a Lever Lock™ panel, compatible with Forward AV Mounting clips for fast and easy device mounting. An active cooling fan and vents keep components at stable temperatures and functioning optimally with Middle Atlantic accessories including R-LINK Power Management and UPS devices. Multiple 3/4" knockout locations enable multiple AC power entry options. Roof cap cutouts are compatible with commonly used cellular and Wi-Fi antennas.

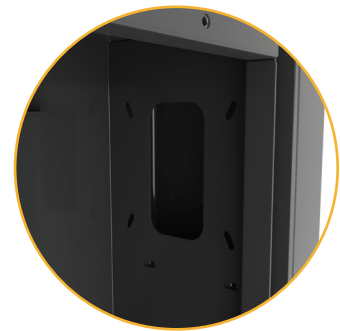
TSI Touch overlays are sold separately to facilitate touch interactivity. Built-in tamper-proof security protects your investment. Designed to UL 2442 Part 2, suitable for outdoor use standards and TUV listed for peace of mind operation and servicing.



LEVER LOCK™



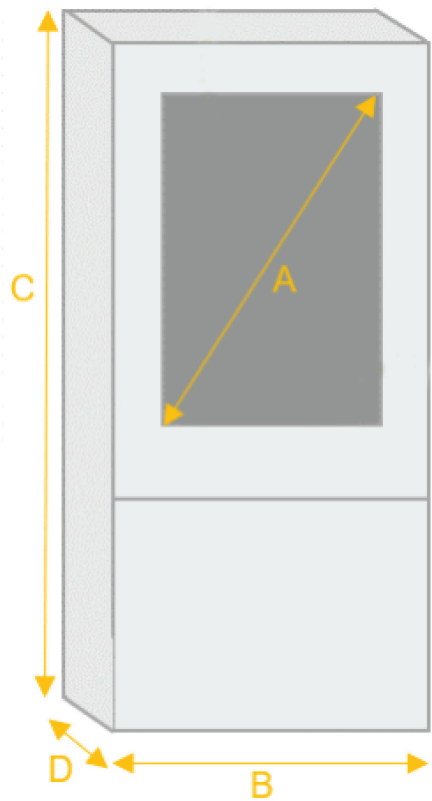
CONDUIT KNOCKOUTS



AC POWER CUTOUTS

Specifications

Image Diagonal (A)	Part Number	Color	Weight Capacity	Wind Rating	Mounting Patterns
49"	OLF49BP-LG	Black	150 lbs (45.3 kg)	120 mph	1048 x 560mm
55"	OLF55BP-LG	Black			1186 x 560mm
55"	OLF55BP-S	Black			1186 x 560mm



Overall Width (B)	Overall Height (C)	Overall Depth (D)
36.3" (922 mm)	84.1" (2137 mm)	7.5" (191 mm)