

TROLLEY E500 & E500 MAXI
PROFESSIONAL DISPLAY SUPPORT



Motorized mobile trolley for large size and touch screens up to 100" and 150Kg.

E500 is perfect in terms of stability and versatility, in fact it can be positioned both in classrooms and in meeting rooms. The black color matches display from all major manufacturers.

The 500 mm stroke allows the screen to be positioned from a minimum of 1070 mm to a maximum of 1570 mm (measured at the center of the screen)

The swivel wheels are equipped with brakes.

MODEL NAME

TROLLEY E500 (cod 07174)

MAIN FEATURES

Min VESA: 200x200
Max VESA: 800x600

Screen dimension: 46" – 100"
Max screen weight: 150 Kg

Swivel wheels with brake

Stroke 500mm

Colour: Black

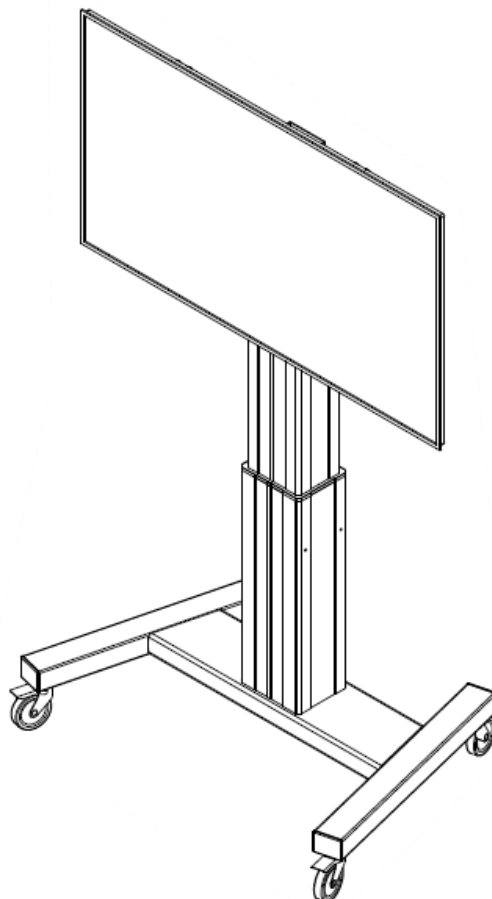
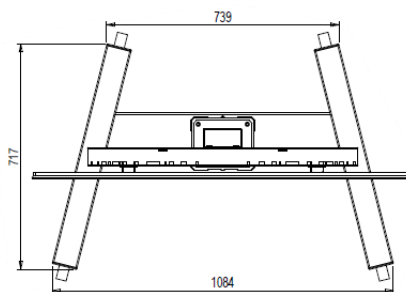
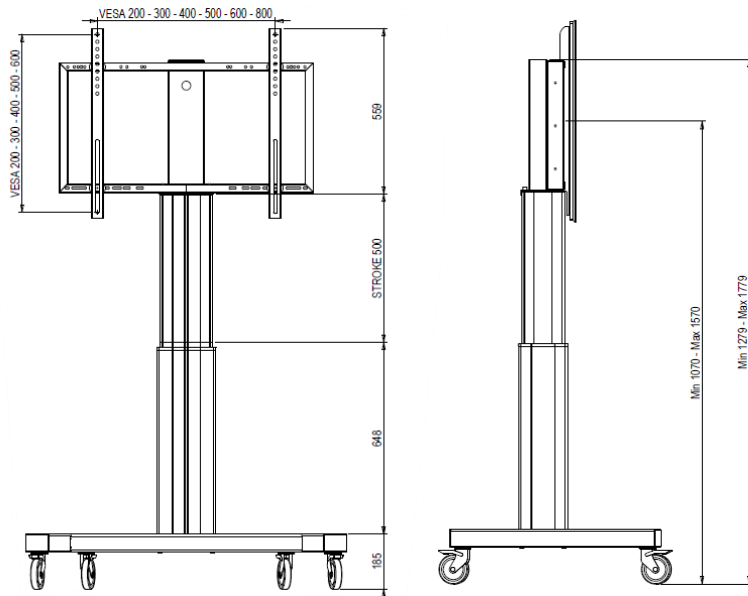
Wired remote control

WARRANTY

5 years

COUNTRY OF ORIGIN

Made in Italy



Motorized mobile trolley for large size and touch screens up to 100" and 150Kg.

E500 is perfect in terms of stability and versatility, in fact it can be positioned both in classrooms and in meeting rooms.

Thanks to the 500 mm extension of the electric column and the manual extension of the VESA support, it is possible to position the screen from a minimum of 1081 mm to a maximum of 1821 mm (measured at the center of the screen)

The swivel wheels are equipped with brakes.

MODEL NAME

TROLLEY E500 MAXI (cod 07175)

MAIN FEATURES

Min VESA: 200x200

Max VESA: 800x600

Screen dimension: 46" – 100"

Max screen weight: 150 Kg

Swivel wheels with brake

Stroke 500mm

Colour: Black

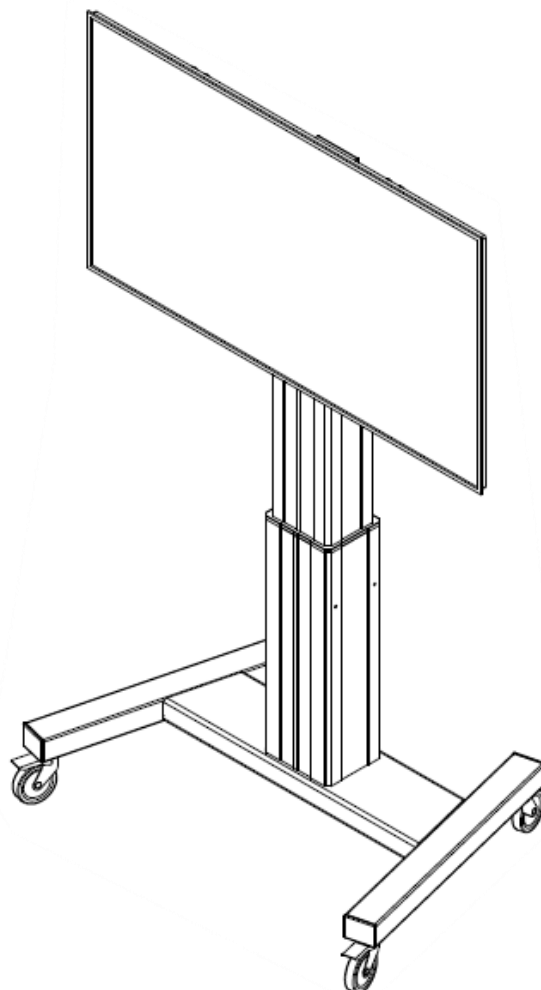
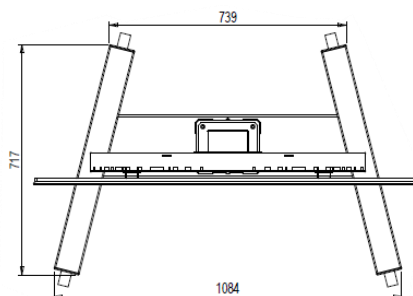
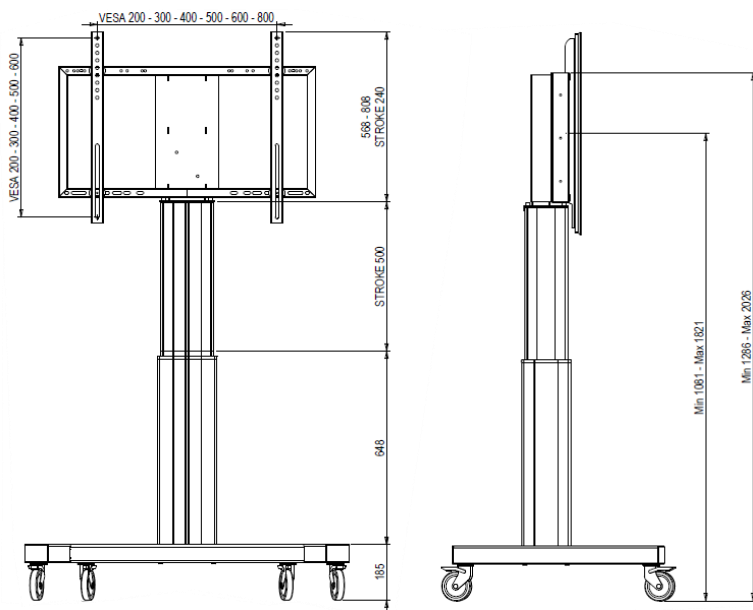
Wired remote control

WARRANTY

5 years

COUNTRY OF ORIGIN

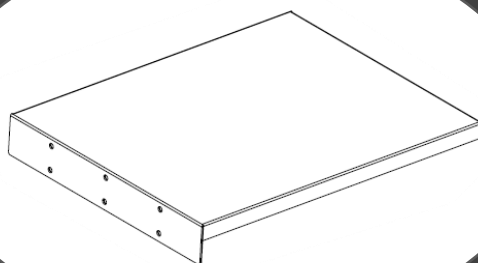
Made in Italy





OPTIONAL

SHELF
Cod 07064



WHEELS EXTRA LARGE Ø10cm
Cod 04488

