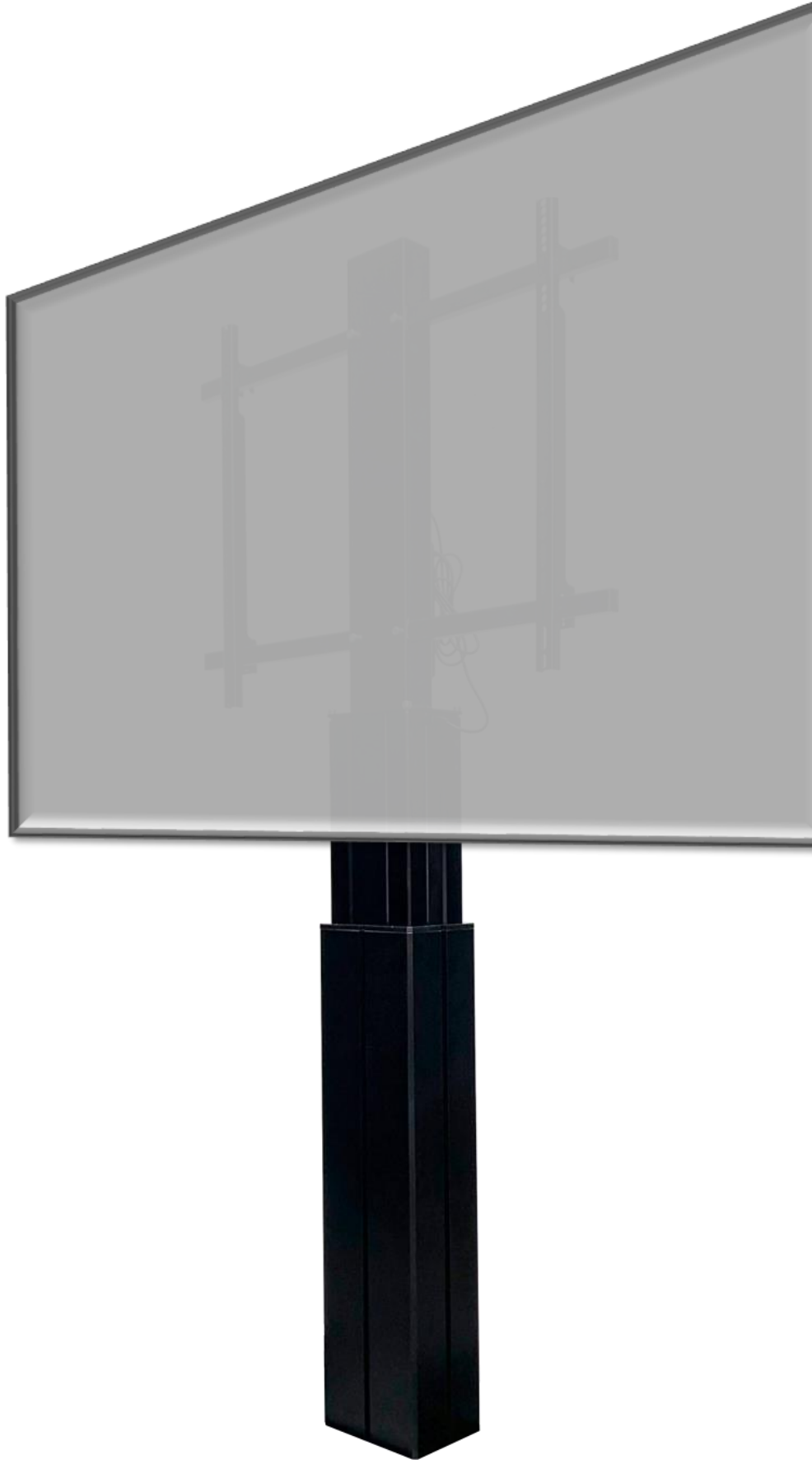


COLUMN E500 & E500 MAXI
PROFESSIONAL DISPLAY SUPPORT



Motorized Wall/Floor support for large size and touch screens up to 100" and 150Kg.

COLUMN E500 is perfect in terms of stability and versatility, in fact it can be positioned both in classrooms and in meeting rooms. The black color matches display from all major manufacturers.

The 500 mm stroke allows the screen to be positioned from a minimum of 959 mm to a maximum of 1459 mm (measured at the center of the screen)

By combining COLUMN E500 with the Base (cod 07182), the solution becomes self-supporting (without the need to fix it to the wall)

For Wall/Floor application, it is mandatory to purchase the wall fixing system (cod 07180 or 07181)

MODEL NAME

COLUMN E500 (cod 07177)

MAIN FEATURES

Min VESA: 200x200
Max VESA: 800x600

Screen dimension: 46" – 100"
Max screen weight: 150 Kg

Stroke 500mm

Colour: Black

Wired remote control

ACCESSORIES

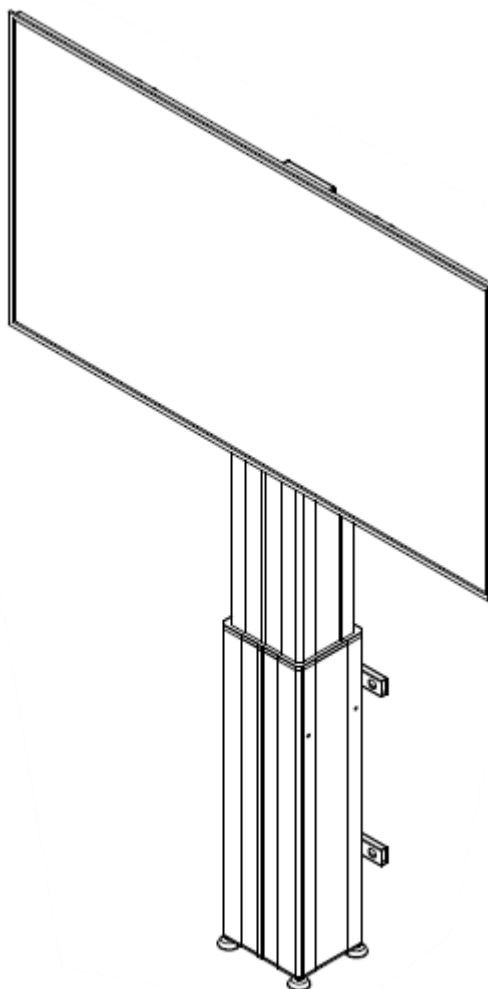
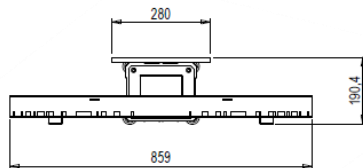
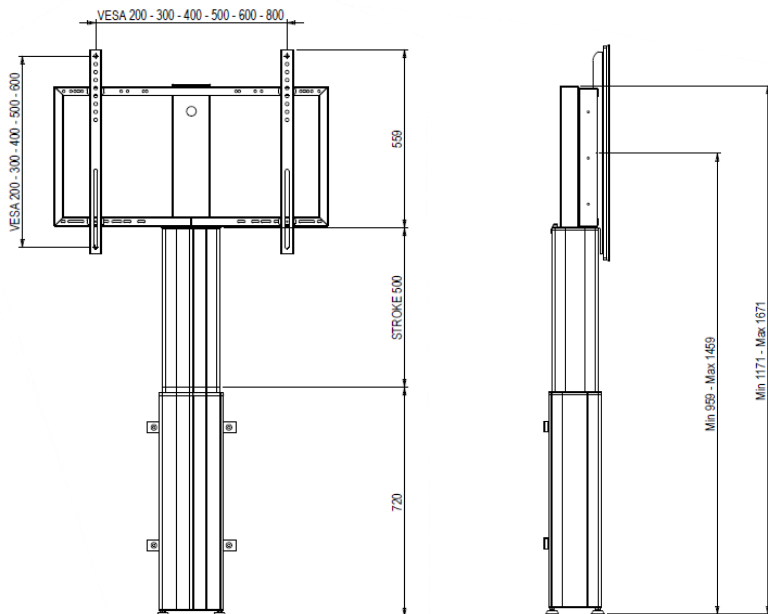
Shelf (cod 07064)
Wall Fix for Concrete (cod 07180)
Dry Wall Fix for plasterboard (cod 07181)
Base (cod 07182)

WARRANTY

5 years

COUNTRY OF ORIGIN

Made in Italy



Motorized Wall/Floor support for large size and touch screens up to 100" and 150Kg.

COLUMN E500 MAXI is perfect in terms of stability and versatility, in fact it can be positioned both in classrooms and in meeting rooms. The black color matches display from all major manufacturers.

Thanks to the 500 mm extension of the electric column and the manual extension of the VESA support, it is possible to position the screen from a minimum of 968 mm to a maximum of 1708 mm (measured at the center of the screen)

By combining COLUMN E500 MAXI with the Base (cod 07182), the solution becomes self-supporting (without the need to fix it to the wall)

For Wall/Floor application, it is mandatory to purchase the wall fixing system (cod 07180 or 07181)

MODEL NAME

COLUMN E500 MAXI (cod 07178)

MAIN FEATURES

Min VESA: 200x200
Max VESA: 800x600

Screen dimension: 46" – 100"
Max screen weight: 150 Kg

Stroke 500mm

Colour: Black

Wired remote control

ACCESSORIES

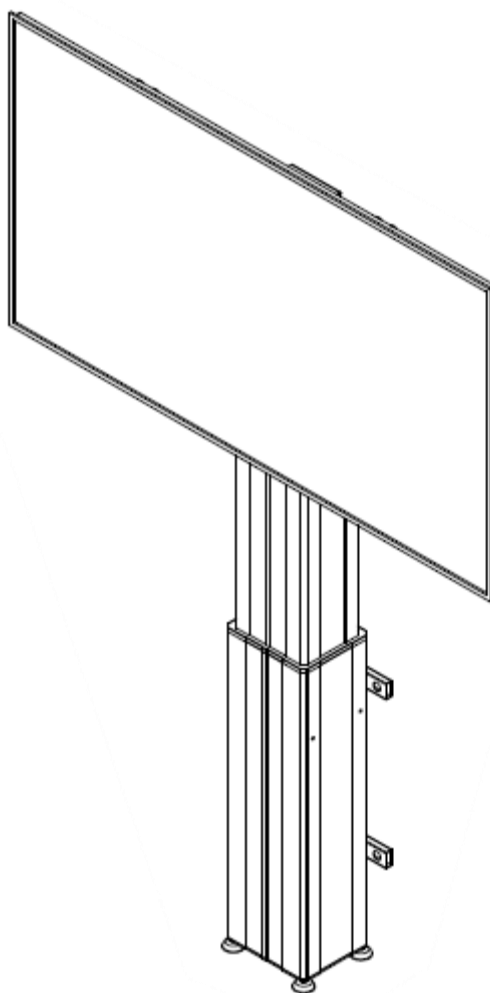
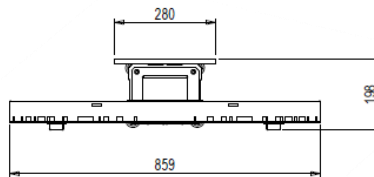
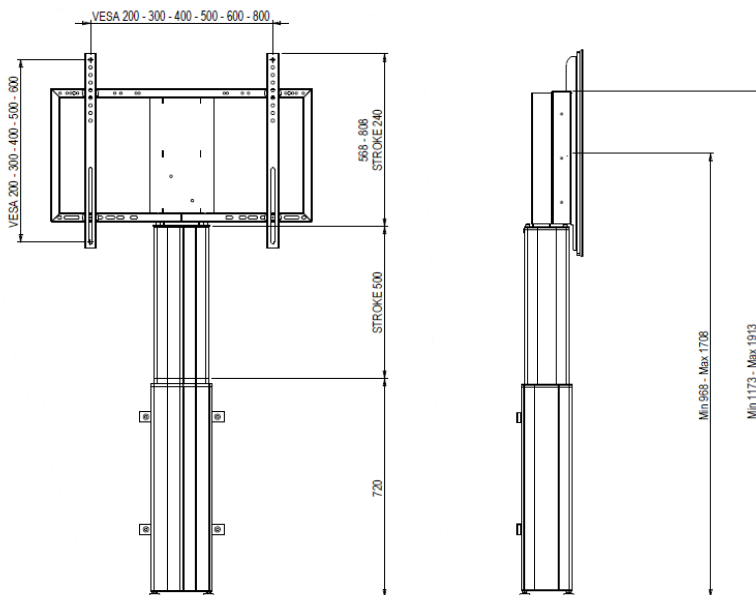
Shelf (cod 07064)
Wall Fix for Concrete (cod 07180)
Dry Wall Fix for plasterboard (cod 07181)
Base (cod 07182)

WARRANTY

5 years

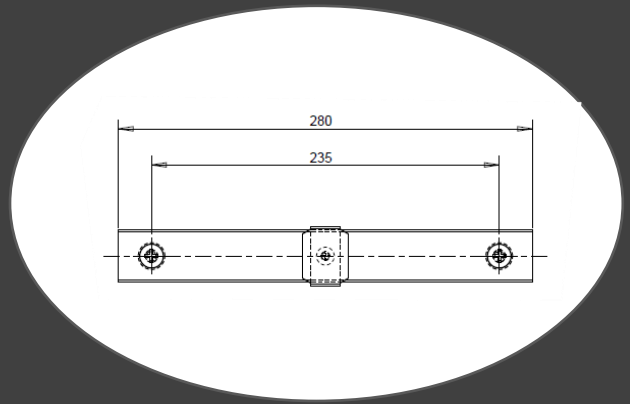
COUNTRY OF ORIGIN

Made in Italy

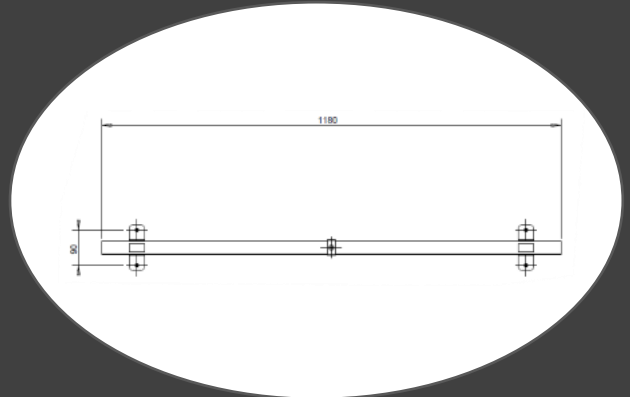


OPTIONAL

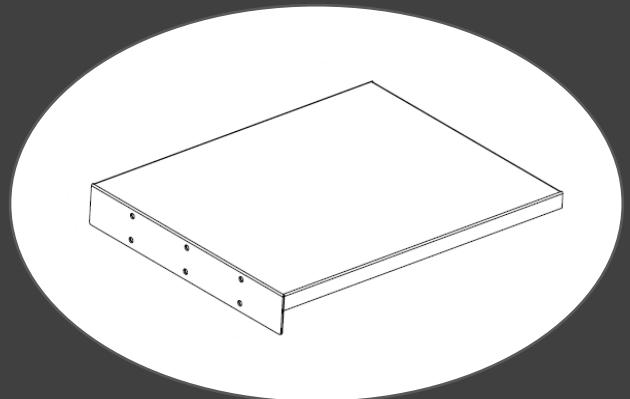
WALL FIX FOR CONCRETE WALL
Cod 07180



DRY WALL FIX FOR
PLASTERBOARD WALL
Cod 07181



SHELF
Cod 07064



BASE
Cod 07182

