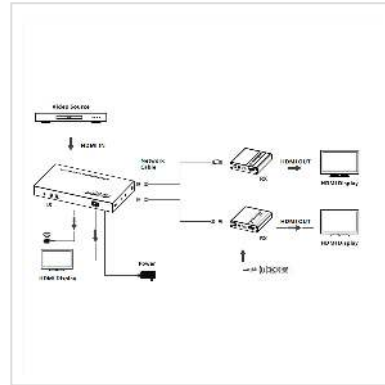
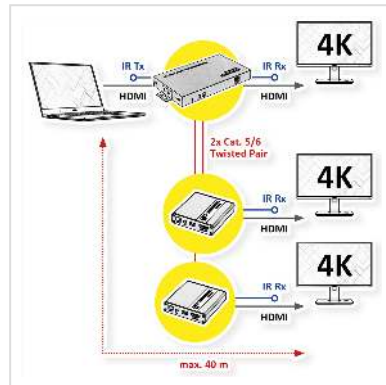


VALUE HDMI Splitter 1x3 with Extender 1x2 over Twisted Pair, 40m

Product No.	14.99.3464
Manufacturer	VALUE
Manufacturer No.	14.99.3464
EAN (single piece)	7630049626904



2160p
UHD-1

4K

3D
capable

HDMI video splitter 1x3 and HDMI video extender 1x2 via twisted pair cable up to 40 meters at up to 4K 30Hz

Suitable for advertising, studios, multimedia classrooms, etc.

- HDMI extender kit with splitter functionality (1 input / 3 outputs)
- It distributes 1 HDMI input signal to 3 identical signal outputs
- Two signal outputs can be extended up to 40 meters
- Max. supported resolution: 4K30Hz
- Bi-directional IR passthrough
- 3.5mm L/R audio output functions
- Supported Audio Formats: PCM, LPCM, DTS-HD, DTS-Audio
- Stable metal casing
- Dimensions: TX: 151.5x86.5x19mm // RX: 75x80x18mm
- Power supply included in delivery

- Contents: Transmitter, 2x Receiver, 3x power supply (TX: 1x 12 VDC, 1A, RX: 2x 5VDC, 1A;), manual

Technical specifications

Manufacturer	VALUE
Product group	Splitters and selectors
Product type	HDMI Extender
Colour	black
Scope of delivery	Transmitter, 2x Receiver, 3x power supply (RX: 2x 5VDC, 1A; TX: 1x 12 VDC, 1A), manual
Interface	HDMI
Max. distance	40 m
Video input	HDMI 1.4
Video output	HDMI 1.4
Video band width	up to 10,2 Gbps
Max. resolution (nom.)	3840x2160@30Hz
Max. resolution	3840 x 2160 @30Hz (4K, Full HD)
Dimensions (HxWxD)	TX: 151.5x86.5x19mm // RX: 75x80x18mm
Power supply output	TX: DC 12V, 1A RX: DC 5V; 1A
Technical particularity	extends the signal up to 40m
Operating temperature min.	-20 °C
Operating temperature max.	60 °C
Height	19 mm
Width	150 mm
Depth	167 mm
Weight	600 g
Height of packaging (single piece)	90 mm
Width of packaging (single piece)	170 mm
Depth of packaging (single piece)	230 mm