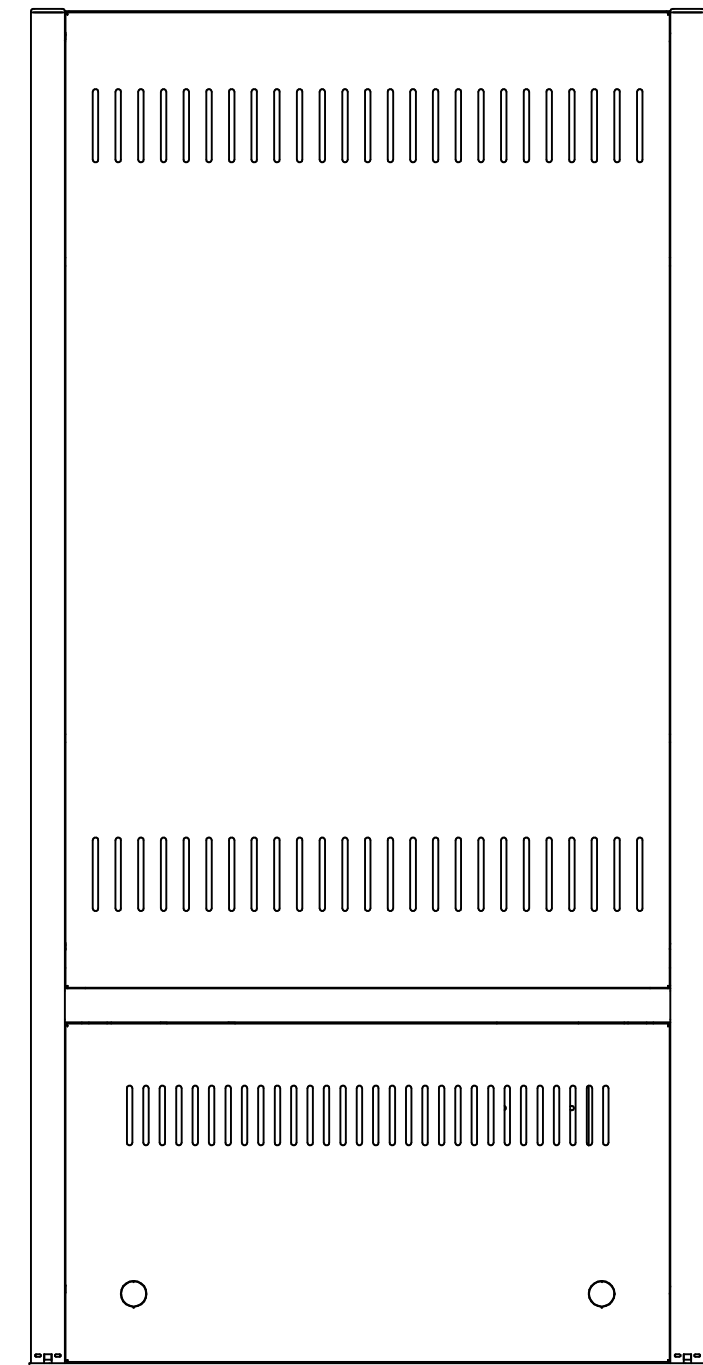
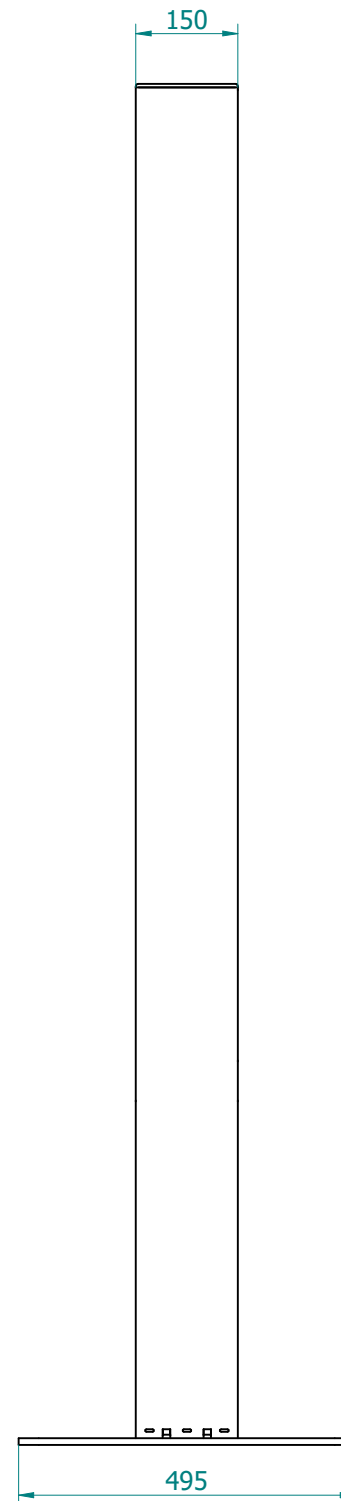
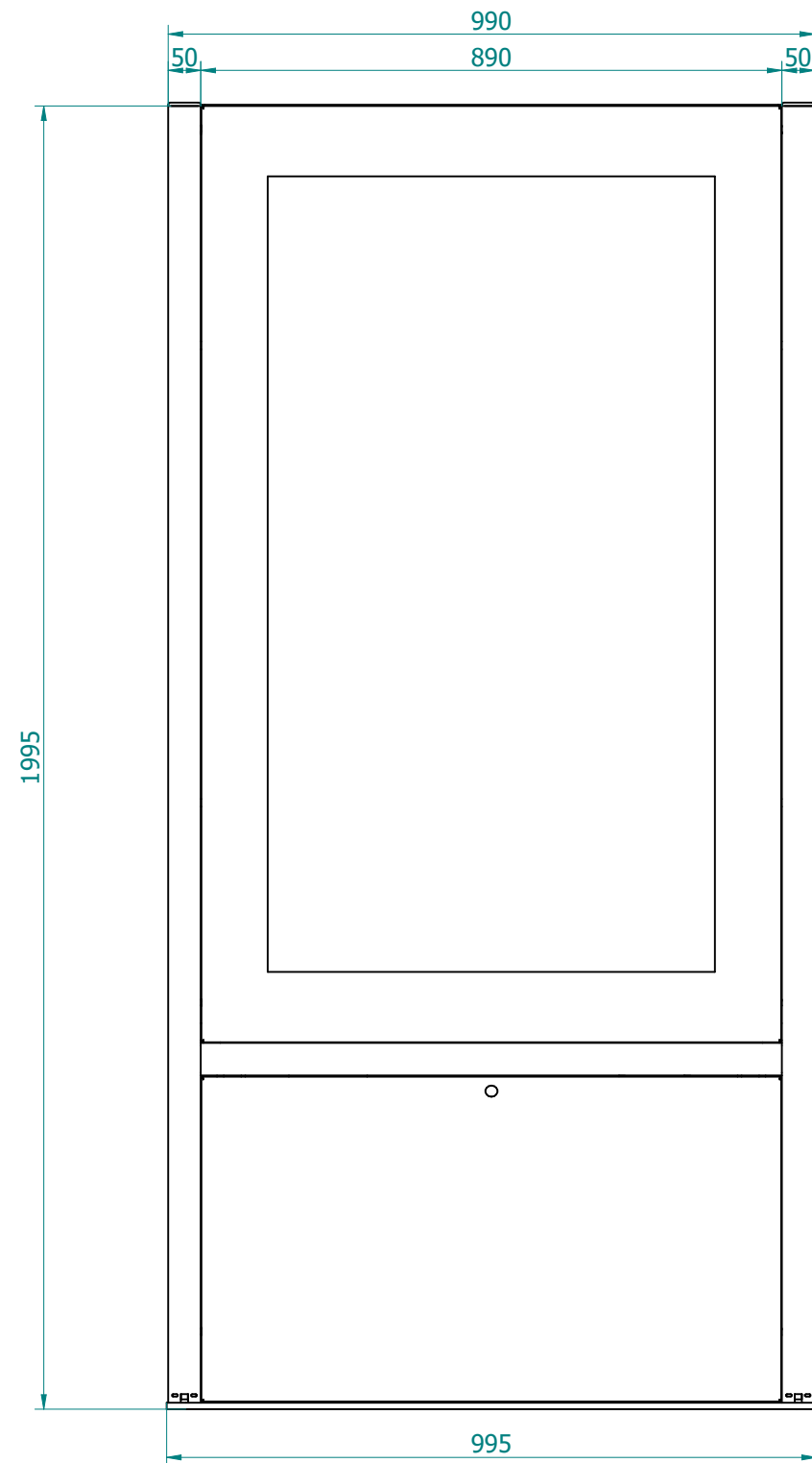
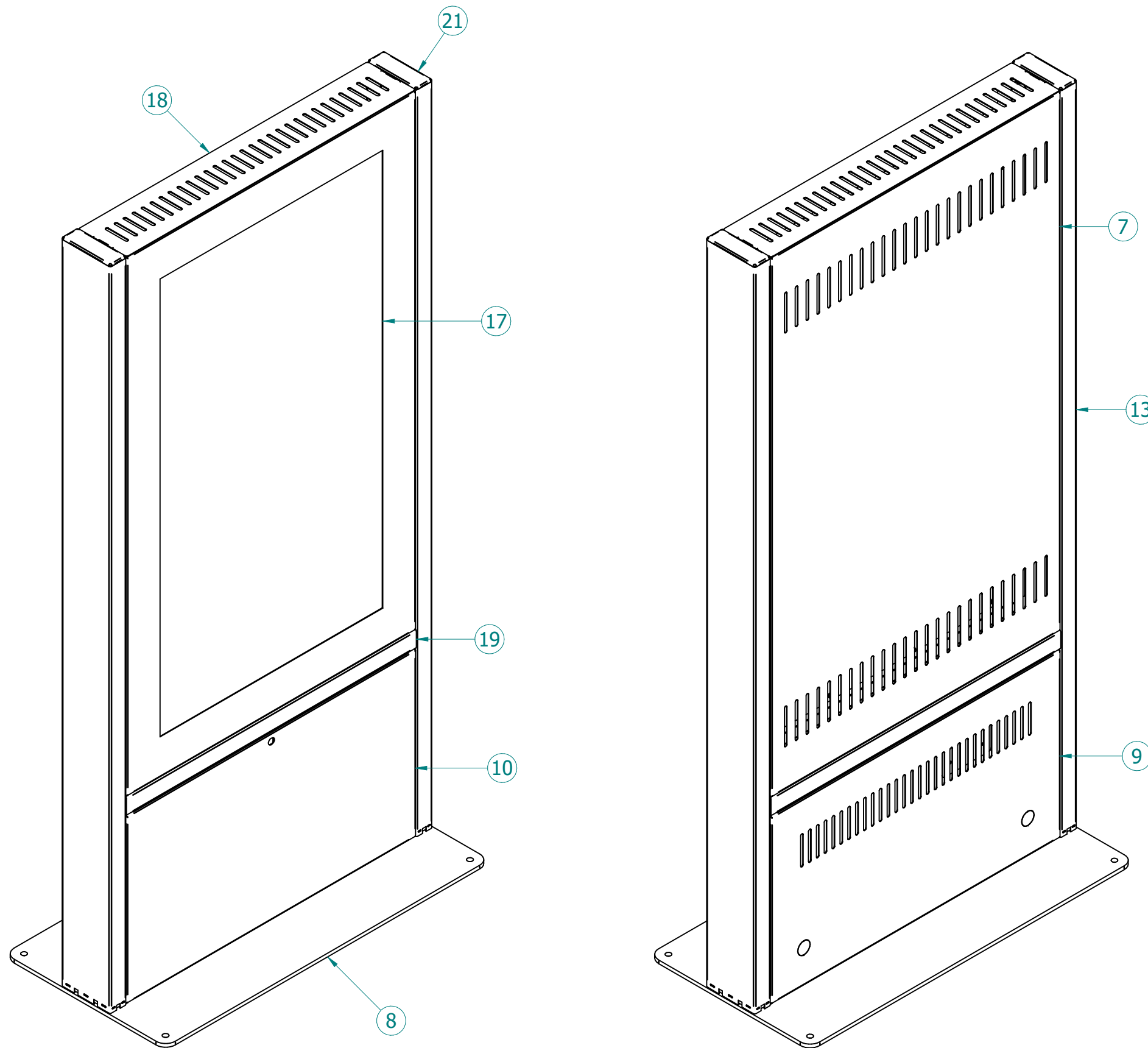


Rev.	Date of issue	Description	Sign
0001	14/12/2022	First edition	T.M.



Chamfers not indicated 0,5x45°	Roughness	General tolerances For linear dimensions: ±0.1 mm For angular dimensions: ISO 2768-m	Weight [kg] 138.83 kg	Scale 1:1	
		Created by Trabucco Marco	Date of issue 14/12/2022		
Code name/File name Totem_55 pollici		Title/Supplementary title Totem per Monitor 55"		Sheet 1\4	Paper size A3

Rev.	Date of issue	Description	Sign
0001	14/12/2022	First edition	T.M.



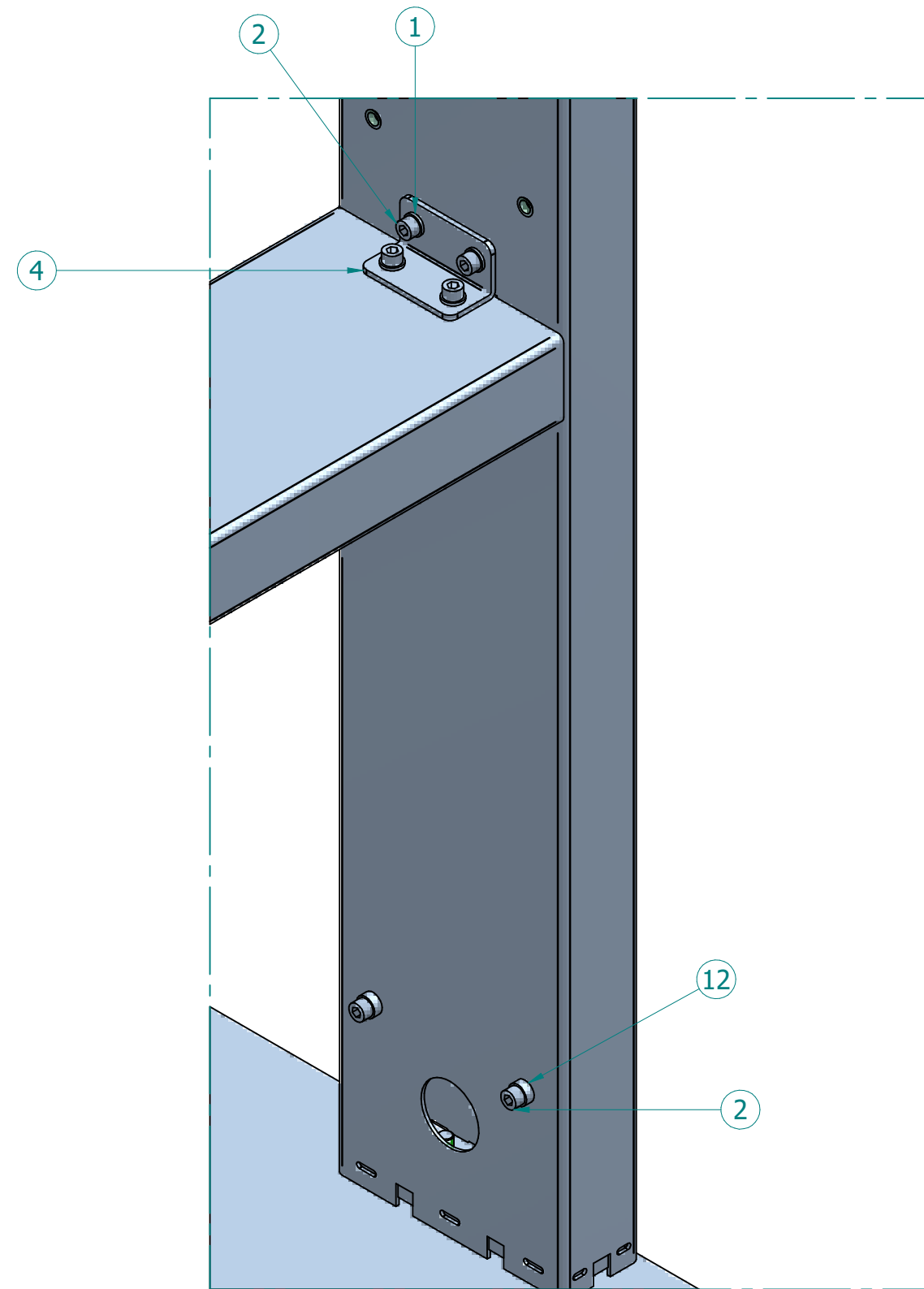
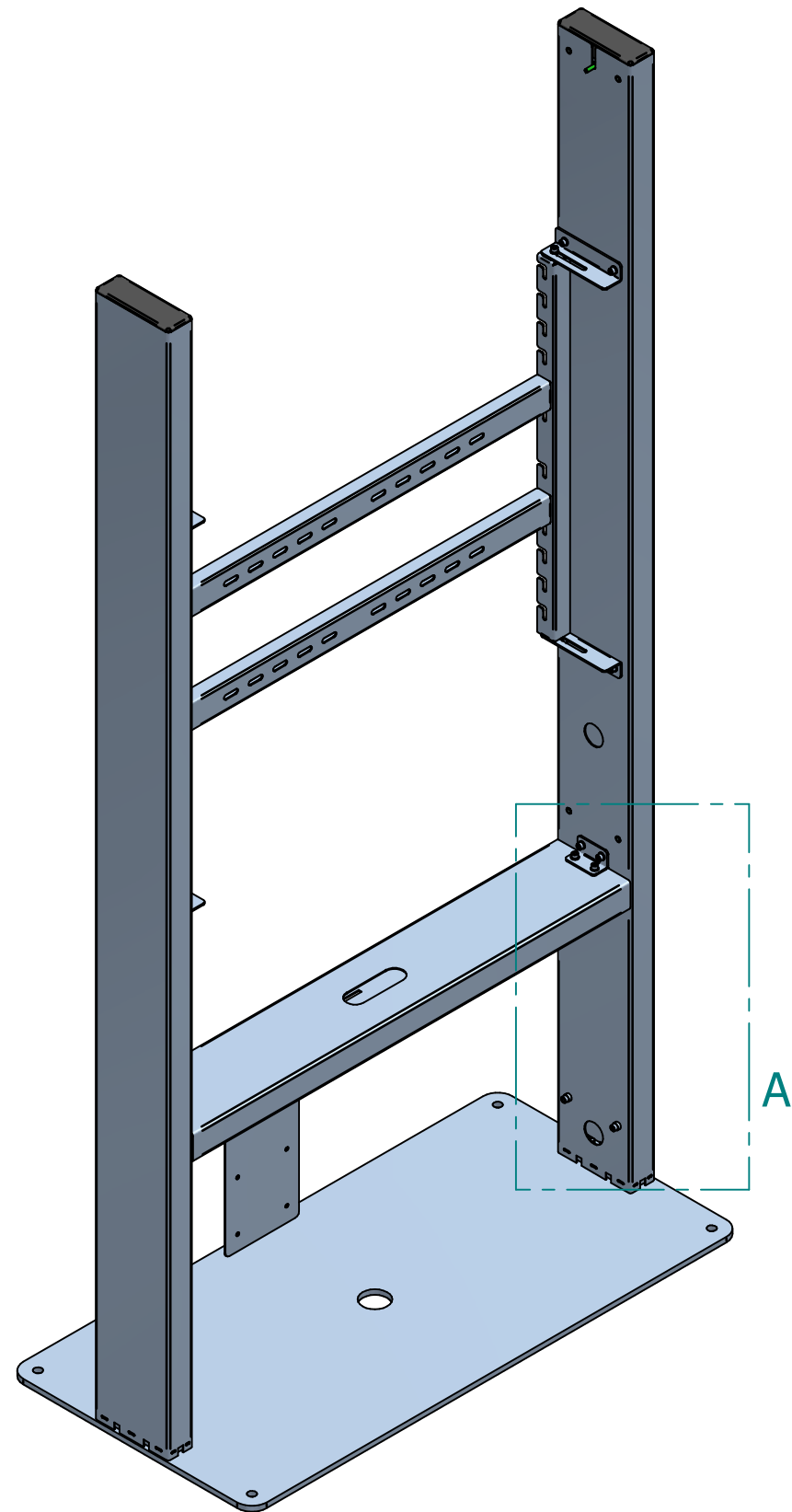
21	Tappo_Rettangolare 150x50		PVC	2
20	T55-A008	Piastra per Vesa 100x100		1
19	T55-A007	Supporto orizzontale		1
18	T55-A006	Coperchio superiore		1
17	T55-A005	Pannello completo x monitor 55"		1
16	T55-A004	Attacco Monitor		2
15	T55-A003	Piastra regolabile		1
14	T55-A002	Piastra regolabile		1
13	T55-A001	Assieme Gamba		2
12	T55-022	Distanziante Sp.5 mm	Steel S235JR	12
11	T55-020	Piastra ad L per vesa	Steel S235JR	1
10	T55-019	Pannello inferiore Front	Steel S235JR	1
9	T55-018	Pannello inferiore Back	Steel S235JR	1
8	T55-017	Base a terra	Steel S235JR	1
7	T55-015	Pannello Posteriore	Steel S235JR	1
6	T55-006	Piastra con asola per regolazione	Steel S235JR	2
5	T55-005	Piastra con asola per regolazione	Steel S235JR	2
4	T55-004	Piastra unione gambe supporto orizzontale	Steel S235JR	2
3	03897_M8x30	TSPEI M8x30 Zin UNI 5933	Steel 10.9	8
2	03033_M6x20_TCEI	Vite TCEI M 6 x 20 UNI 5931	Steel 8.8	44
1	00920_Rondella M6	Rondella d6-D11 Art.364	Steel 140 HV	36
Ref	Code	Commenti	Materiale	Q.ty

Chamfers not indicated	Roughness	General tolerances For linear dimensions: ±0.1 mm For angular dimensions: ISO 2768-m	Weight [kg]	Scale	
0,5x45°			138.83 kg	1/1	

 TARGETED TO PROFESSIONALS	Created by Trabucco Marco Title/Supplementary title Totem per Monitor 55"	Date of issue 14/12/2022
-------------------------------	--	------------------------------------

Code name/File name	Sheet
Totem_55 pollici	2\4
	Paper size
	A3

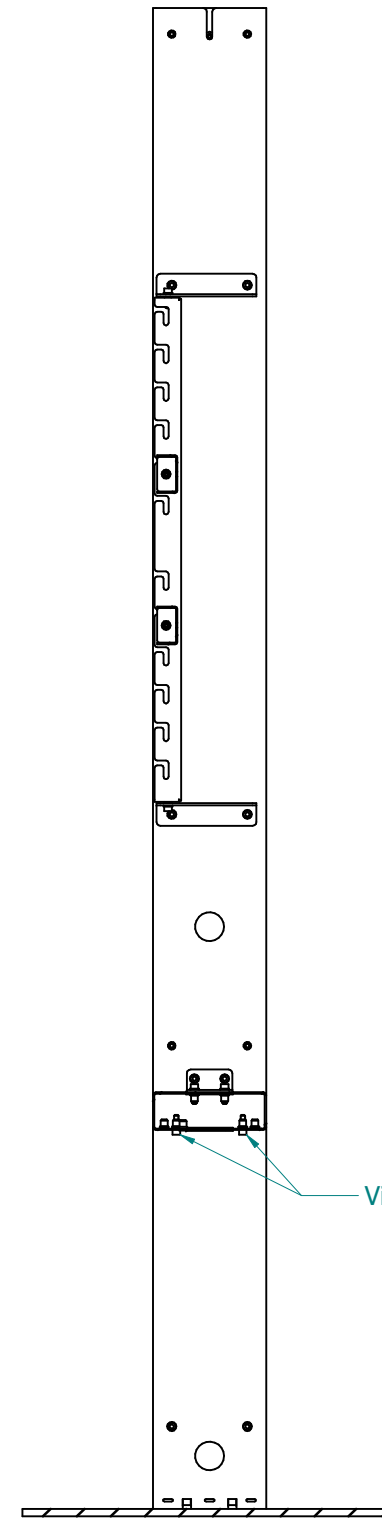
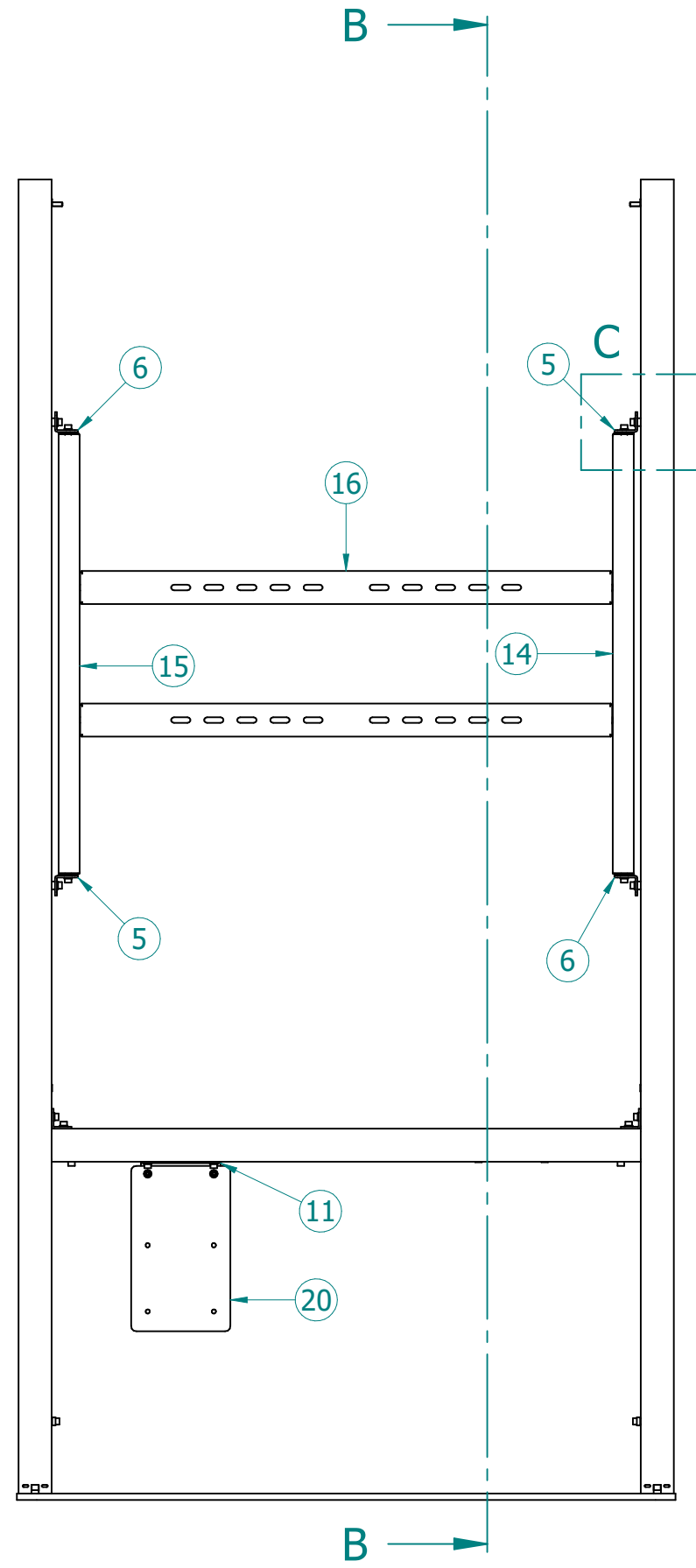
Rev.	Date of issue	Description	Sign
0001	14/12/2022	First edition	T.M.



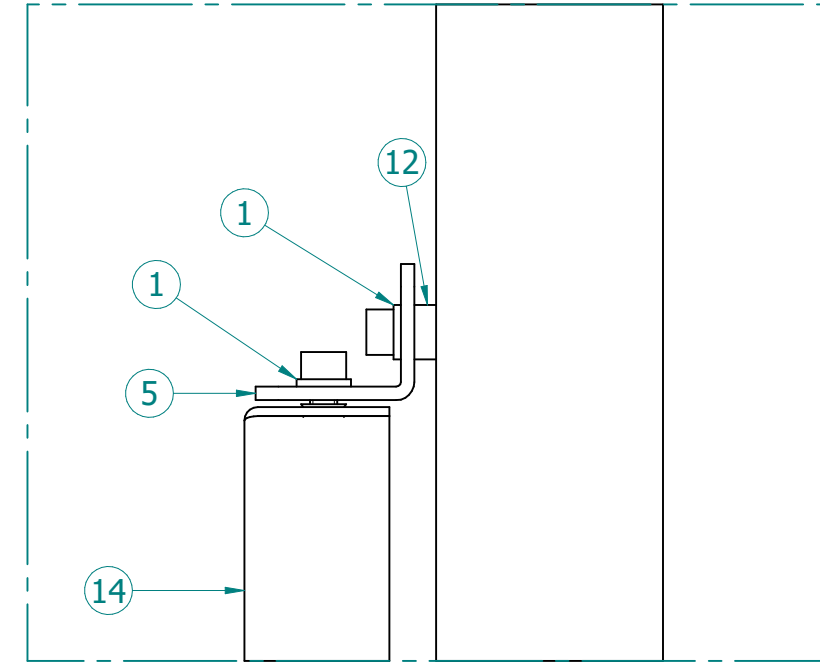
DETTAGLIO A

Chamfers not indicated 0,5x45°	Roughness	General tolerances For linear dimensions: ±0.1 mm For angular dimensions: ISO 2768-m	Weight [kg] 138.83 kg	Scale 1/1	
Created by Trabucco Marco		Date of issue 14/12/2022			
Title/Supplementary title Totem per Monitor 55"					
Code name/File name Totem_55 pollici					Sheet 3\4 Paper size A3

Rev.	Date of issue	Description	Sign
0001	14/12/2022	First edition	T.M.



SEZIONE B-B



DETTAGLIO C

Chamfers not indicated 0,5x45°	Roughness	General tolerances For linear dimensions: ±0.1 mm For angular dimensions: ISO 2768-m	Weight [kg] 138.83 kg	Scale 1/1	
 TARGETED TO PROFESSIONALS		Created by Trabucco Marco	Date of issue 14/12/2022		
Code name/File name Totem_55 pollici			Title/Supplementary title Totem per Monitor 55"		Sheet 4\4
					Paper size A3