
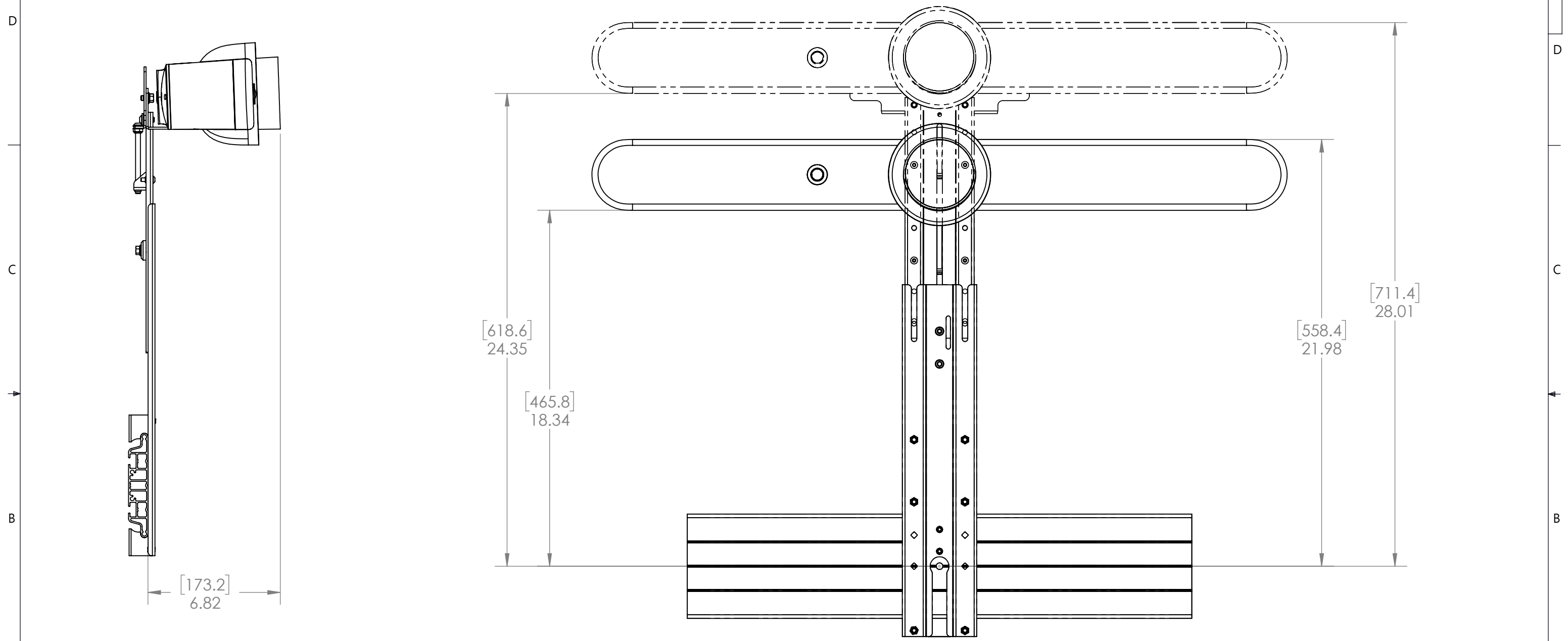


NOTE: VERTICAL ADJUSTMENT RANGE APPLIES TO BOTH LOGITECH RALLY BAR AND RALLY BAR MINI


THE INFORMATION AND DESIGNS CONTAINED IN THIS DRAWING ARE CONFIDENTIAL AND THE PROPRIETARY PROPERTY OF LEGRAND | AV. NEITHER THIS DESIGN NOR ANY INFORMATION CONTAINED IN THIS DRAWING MAY BE REPRODUCED OR DISCLOSED TO OTHERS WITHOUT THE EXPRESS WRITTEN CONSENT OF LEGRAND | AV.

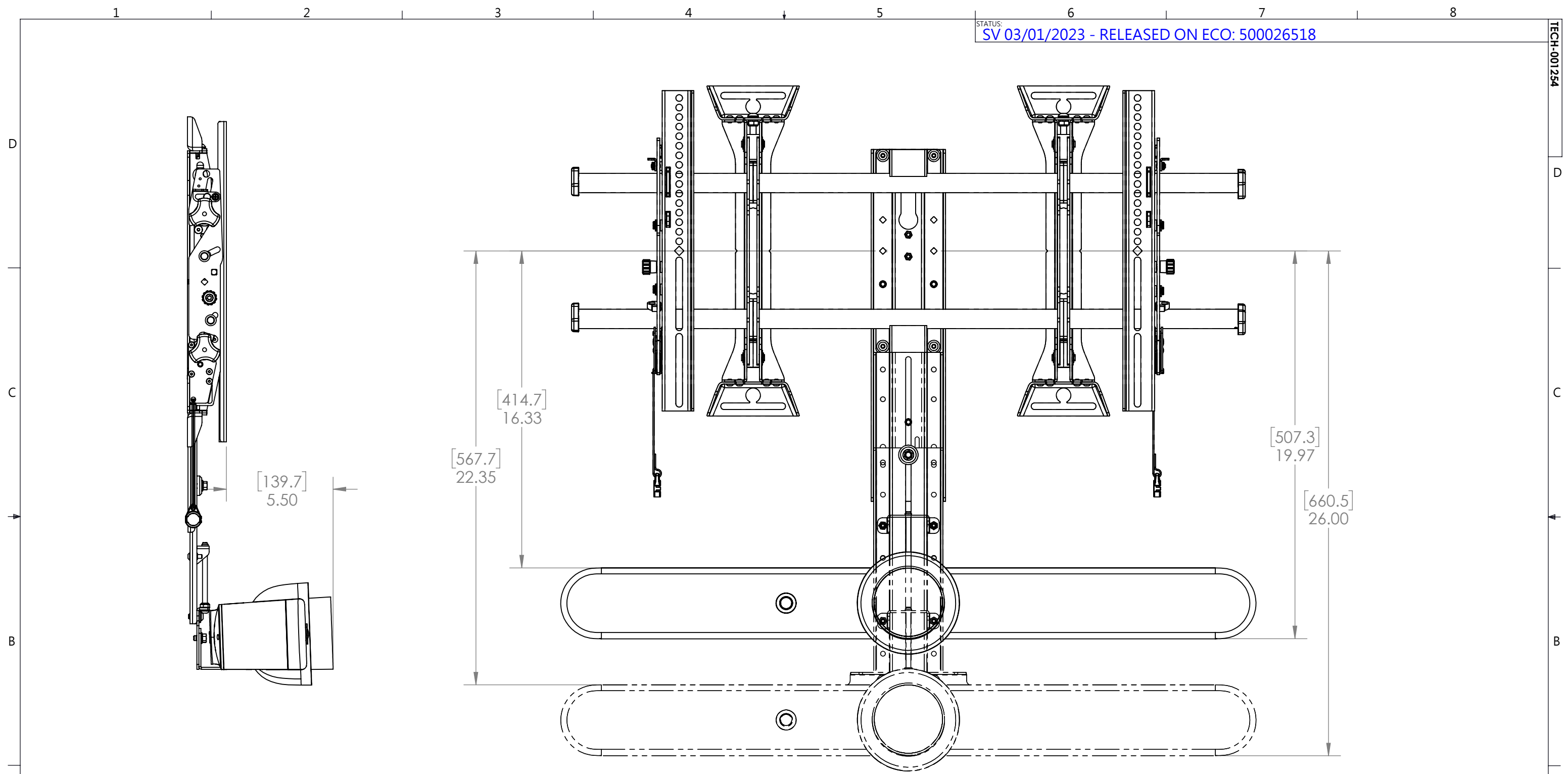
|  |    |   |  |  |      |
|--|----|---|--|--|------|
| CAD GENERATED DRAWING, DO NOT MANUALLY UPDATE. |    |  |  | 6436 CITY WEST PKWY<br>EDEN PRAIRIE, MN, 55344<br>PHONE: 866-977-3901<br>FAX: 877-894-6918 |      |
| DRAWN BY                                       | SV | 1/27/2023   | DESCRIPTION                              |  |      |
| ENG APPROVAL                                   |    |   | LOGI RALLY BAR MOUNT ABOVE/BELOW DISPLAY |  |      |
| MFG APPROVAL                                   |    |   | MODEL NO.                                |  |      |
| QA APPROVAL                                    |    |   | SIZE                                     | DWG. NO.   | REV. |
| SHEET 1 OF 4                                   |    | SCALE   | B  | TECH-001254  | 00   |



NOTE: VERTICAL ADJUSTMENT RANGE APPLIES TO BOTH LOGITECH RALLY BAR AND RALLY BAR MINI

THE INFORMATION AND DESIGNS CONTAINED IN THIS DRAWING ARE CONFIDENTIAL AND THE PROPRIETARY PROPERTY OF LEGRAND | AV. NEITHER THIS DESIGN NOR ANY INFORMATION CONTAINED IN THIS DRAWING MAY BE REPRODUCED OR DISCLOSED TO OTHERS WITHOUT THE EXPRESS WRITTEN CONSENT OF LEGRAND | AV.

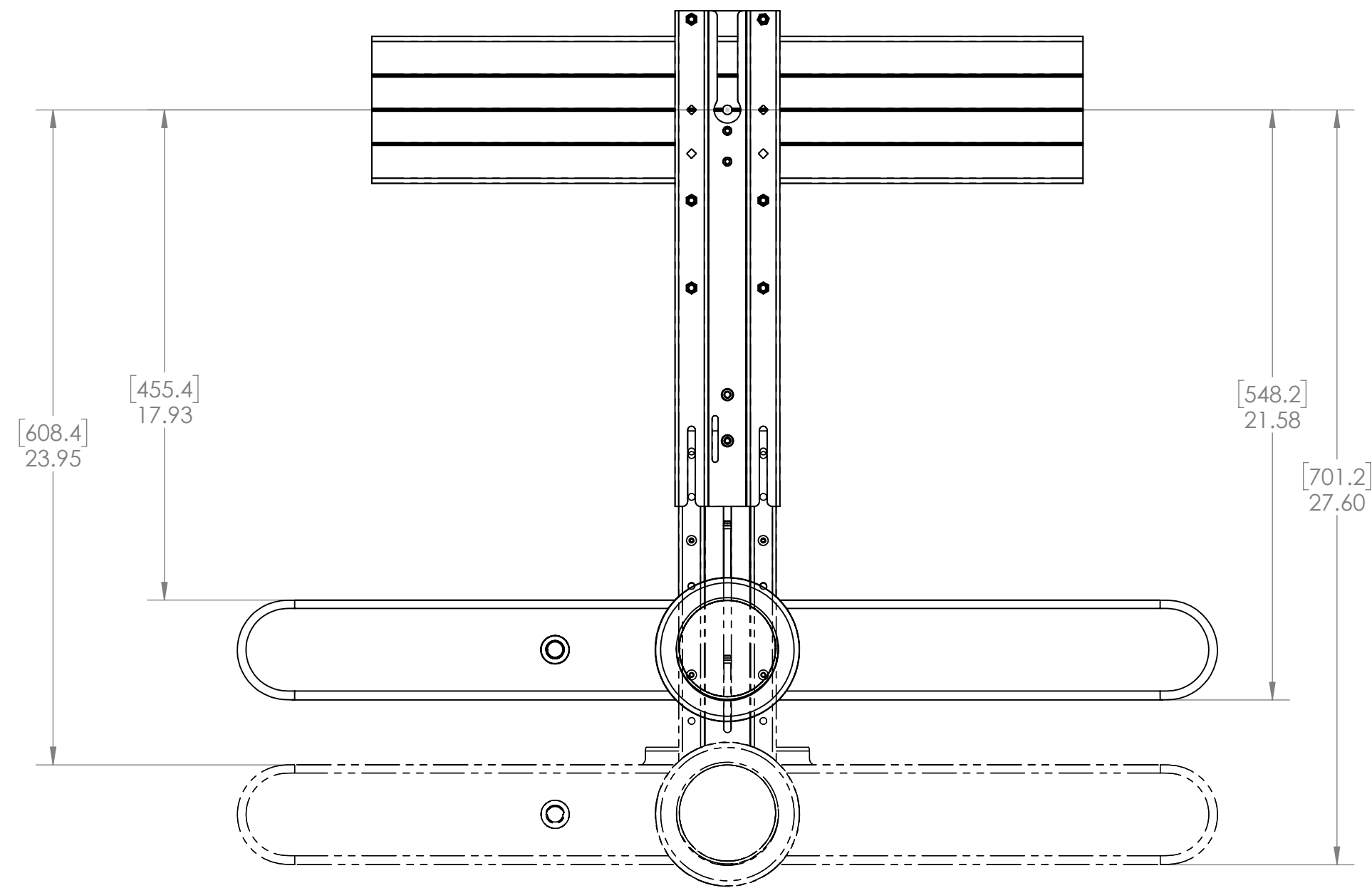
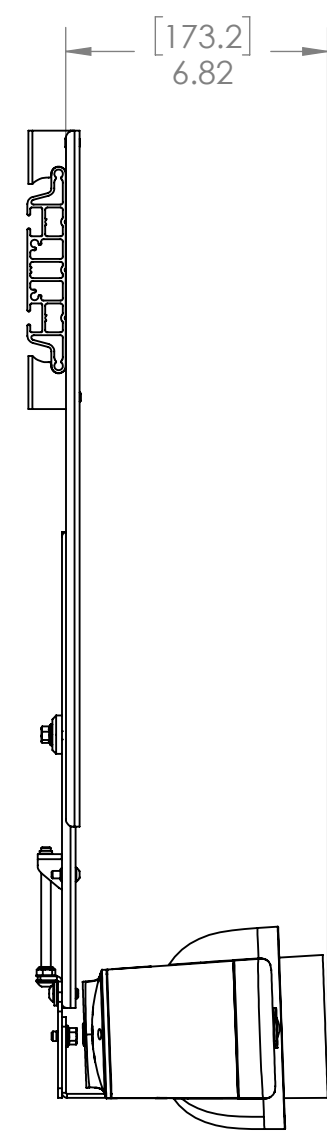
|  |    |  |  |
|--|----|--|--|
| CAD GENERATED DRAWING, DO NOT MANUALLY UPDATE. |    |  6436 CITY WEST PKWY<br>EDEN PRAIRIE, MN, 55344<br>PHONE: 866-977-3901<br>FAX: 877-894-6918 |  |
| DRAWN BY                                       | SV | 1/27/2023  | DESCRIPTION                              |
| ENG APPROVAL                                   |    |  | LOGI RALLY BAR MOUNT ABOVE/BELOW DISPLAY |
| MFG APPROVAL                                   |    |  | MODEL NO.                                |
| QA APPROVAL                                    |    |  |  |
| SHEET 2 OF 4                                   |    | SCALE  | SIZE DWG. NO. REV.                       |
|  |    | 1:5  | B TECH-001254 00                         |



NOTE: VERTICAL ADJUSTMENT RANGE APPLIES TO BOTH LOGITECH RALLY BAR AND RALLY BAR MINI

THE INFORMATION AND DESIGNS CONTAINED IN THIS DRAWING ARE CONFIDENTIAL AND THE PROPRIETARY PROPERTY OF LEGRAND | AV. NEITHER THIS DESIGN NOR ANY INFORMATION CONTAINED IN THIS DRAWING MAY BE REPRODUCED OR DISCLOSED TO OTHERS WITHOUT THE EXPRESS WRITTEN CONSENT OF LEGRAND | AV.

|  |    |           |  |  |      |
|--|----|-----------|--|--|------|
| CAD GENERATED DRAWING, DO NOT MANUALLY UPDATE. |    |           |  | 6436 CITY WEST PKWY<br>EDEN PRAIRIE, MN, 55344<br>PHONE: 866-977-3901<br>FAX: 877-894-6918 |      |
| DRAWN BY                                       | SV | 1/27/2023 | DESCRIPTION                              |  |      |
| ENG APPROVAL                                   |    |           | LOGI RALLY BAR MOUNT ABOVE/BELOW DISPLAY |  |      |
| MFG APPROVAL                                   |    |           | MODEL NO.                                |  |      |
| QA APPROVAL                                    |    |           |  |  |      |
| SHEET 3 OF 4                                   |    | SCALE     | SIZE                                     | DWG. NO.   | REV. |
|  |    | 1:5       | B  | TECH-001254  | 00   |



NOTE: VERTICAL ADJUSTMENT RANGE APPLIES TO BOTH LOGITECH RALLY BAR AND RALLY BAR MINI

THE INFORMATION AND DESIGNS CONTAINED IN THIS DRAWING ARE CONFIDENTIAL AND THE PROPRIETARY PROPERTY OF LEGRAND | AV. NEITHER THIS DESIGN NOR ANY INFORMATION CONTAINED IN THIS DRAWING MAY BE REPRODUCED OR DISCLOSED TO OTHERS WITHOUT THE EXPRESS WRITTEN CONSENT OF LEGRAND | AV.

|  |    |           |  |   |      |
|--|----|-----------|--|---|------|
| CAD GENERATED DRAWING, DO NOT MANUALLY UPDATE. |    |           |  | 6436 CITY WEST PKWY<br>EDEN PRAIRIE MN, 55344<br>PHONE: 866-977-3901<br>FAX: 877-894-6918 |      |
| DRAWN BY                                       | SV | 1/27/2023 | DESCRIPTION                              |   |      |
| ENG APPROVAL                                   |    |           | LOGI RALLY BAR MOUNT ABOVE/BELOW DISPLAY |   |      |
| MFG APPROVAL                                   |    |           | MODEL NO.                                |   |      |
| QA APPROVAL                                    |    |           |  |   |      |
| SHEET 4 OF 4                                   |    | SCALE     | SIZE                                     | DWG. NO.  | REV. |
|  |    | 1:5       | B  | TECH-001254   | 00   |