

# CHIEF®

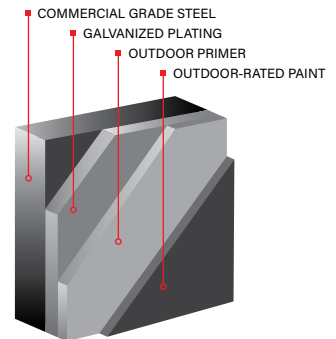
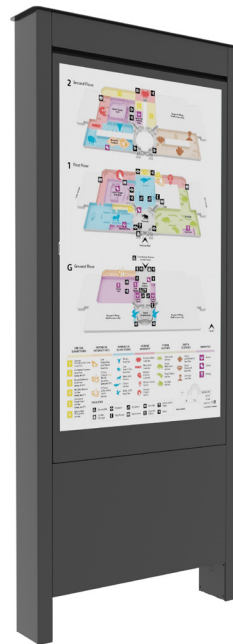
A brand of  Legrand



## IMPACT™ OUTDOOR KIOSK

### Get Out There!

The new Impact™ Outdoor Kiosk adds another level of flexibility to the digital signage enclosure market. This sleek yet robust design features outdoor rated paint, is wind tested up to 140 mph and has convenient AV device storage that is IP54 rated, providing protection against dust and water.



WARRANTIED



QUALITY  
ASSURANCE



STAINLESS STEEL  
HARDWARE



WIND TESTED

# Optimal Storage Inside for a Clean Look on the Outside

Ample storage area includes a Lever Lock™ panel, compatible with Forward AV Mounting clips for fast and easy device mounting. An active cooling fan and vents keep components at stable temperatures and functioning optimally with Middle Atlantic accessories including R-LINK Power Management and UPS devices. Multiple 3/4" knockout locations enable multiple AC power entry options. Roof cap cutouts are compatible with commonly used cellular and Wi-Fi antennas.



TSI Touch overlays are sold separately to facilitate touch interactivity. Built-in tamper-proof security protects your investment. Designed to UL 2442 Part 2, suitable for outdoor use standards and TUV listed for peace of mind operation and servicing.

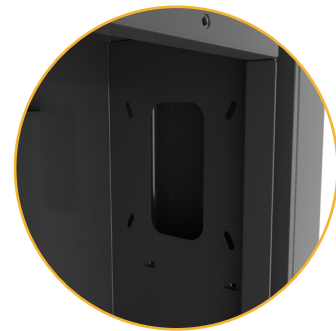
Part Number	Description
TSI49NZZZGA2ZZZ	IR Interactive Kiosk Insert for a 49" Kiosk. Integrated with 10PT IP65 Outdoor Rated IR Technology. Compatible with Chief Impact 49" Outdoor Portrait Kiosk OLF49BP-LG
TSI55NZZZGA2ZZZ	IR Interactive Kiosk Insert for a 55" Kiosk. Integrated with 10PT IP65 Outdoor Rated IR Technology. Compatible with Chief Impact 55" Outdoor Portrait Kiosk OLF55BP-LG/ OLF55BP-S



LEVER LOCK™



CONDUIT KNOCKOUTS



AC POWER CUTOUTS

# IMPACT SERIES™

## FLOOR & ON-WALL MOUNTED KIOSK SOLUTIONS

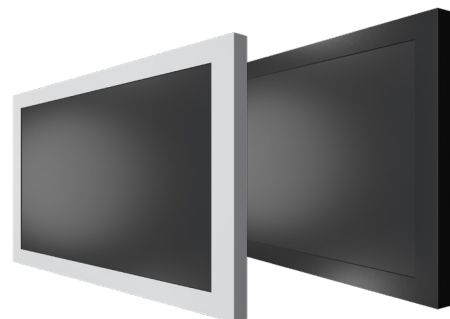
**CHIEF®**  
A brand of **Legrand**



Download the Chief Impact Kiosk Brochure to see the full line of Floor-Standing and On-Wall Kiosks plus accessories for interior spaces.



**Chief Impact  
Kiosk Brochure**



## Specifications

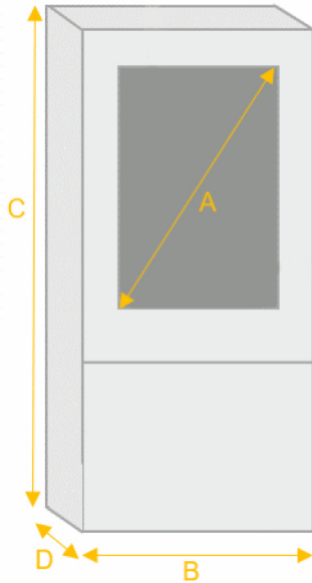


Image Diagonal (A)	Part Number	Color	Weight Capacity	Wind Rating	Mounting Patterns
49"	OLF49BP-LG	Black	150 lbs (45.3 kg)	140 mph	1048x560mm
55"	OLF55BP-LG	Black			1186x560mm
55"	OLF55BP-S	Black			1186x560mm

Overall Width (B)	Overall Height (C)	Overall Depth (D)
36.3" (922 mm)	84.1" (2137 mm)	7.5" (191 mm)

