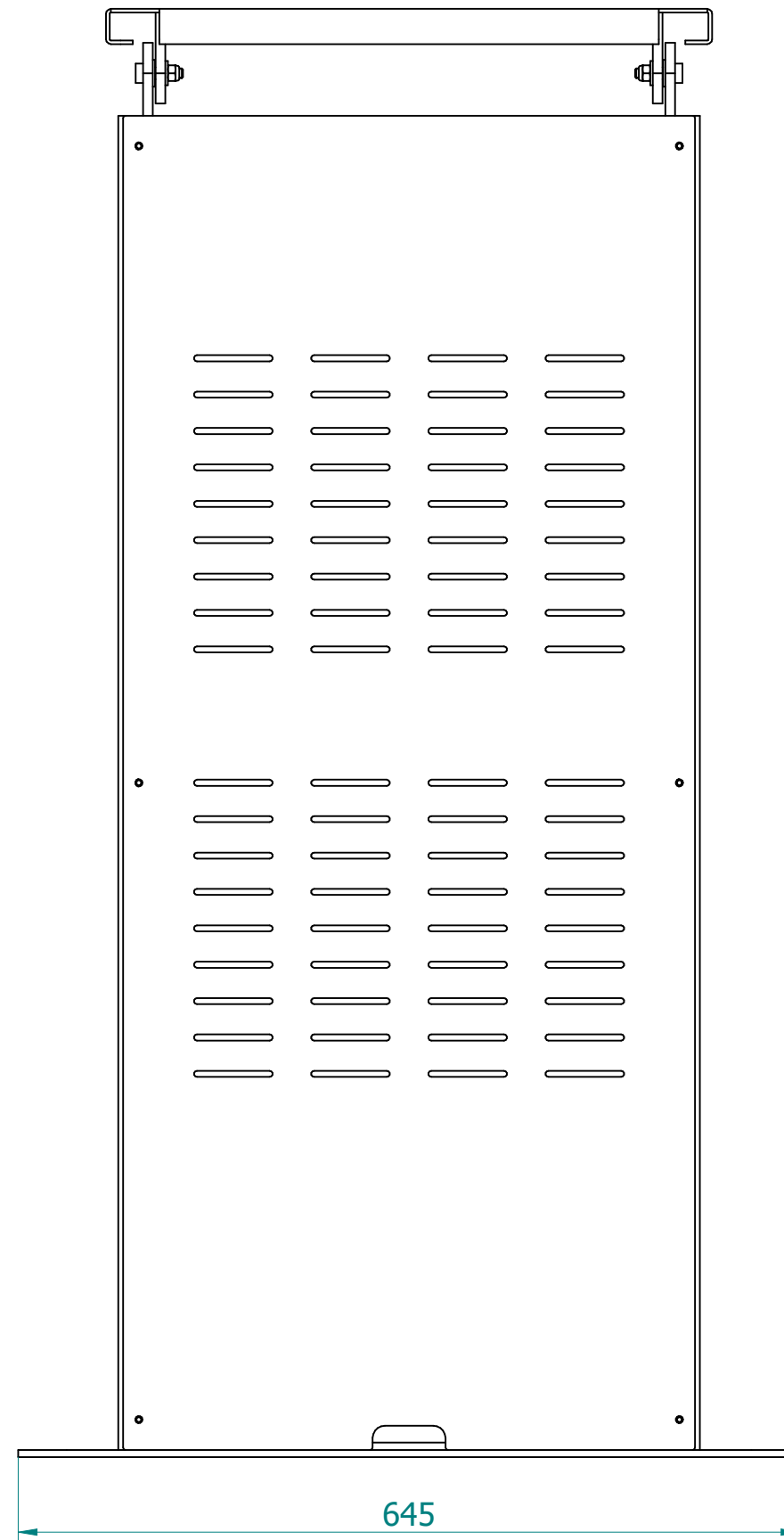
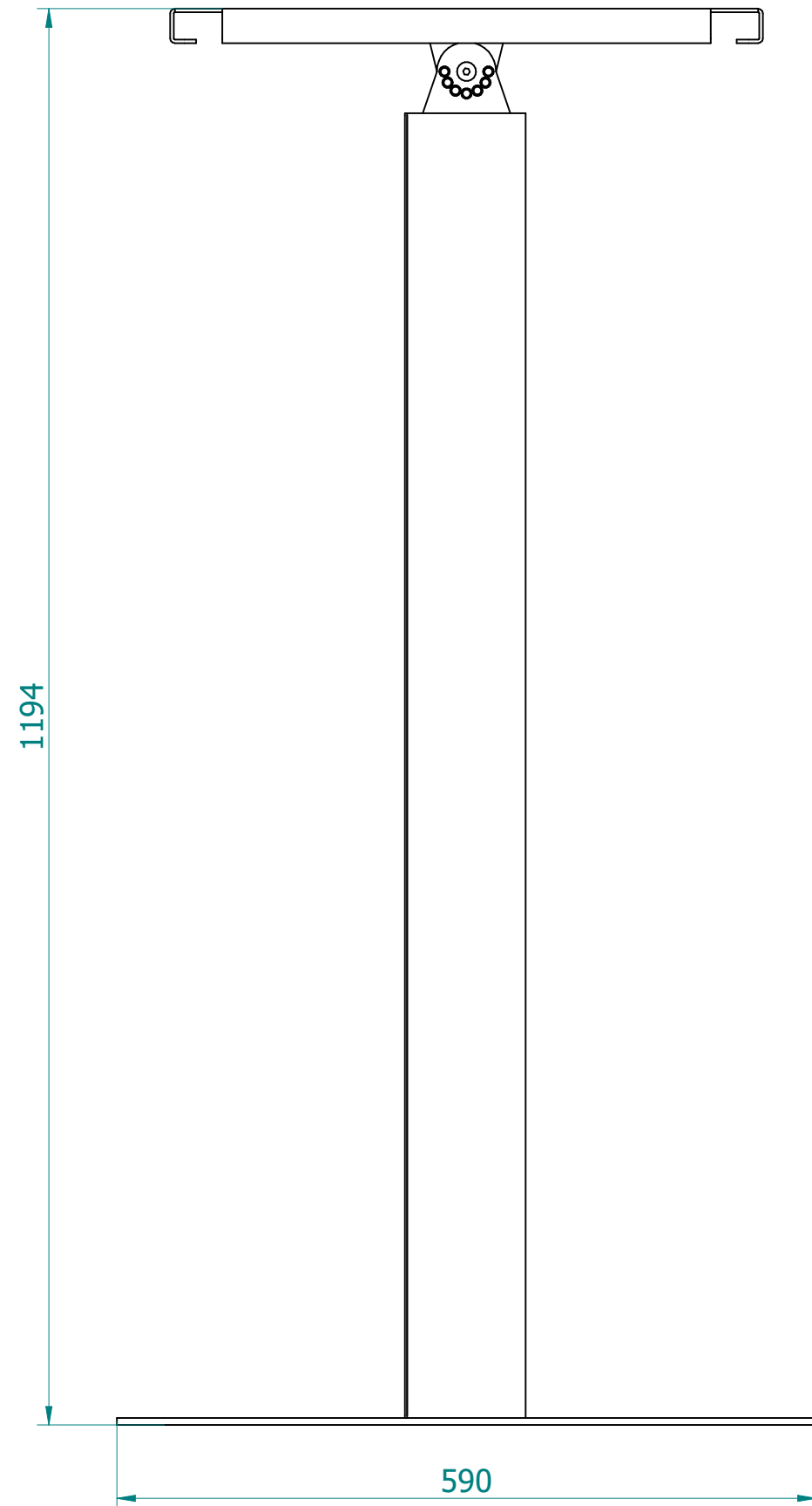
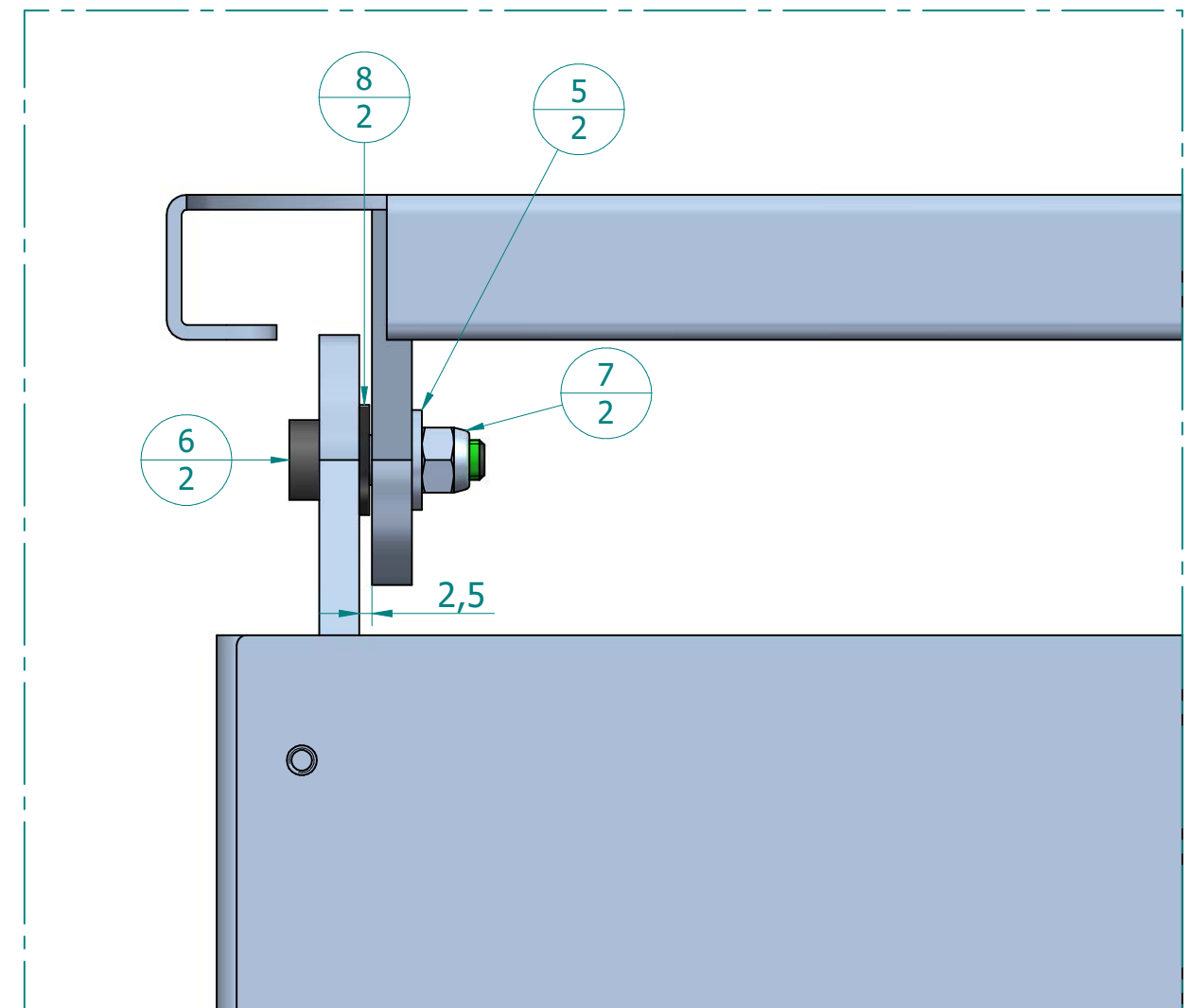
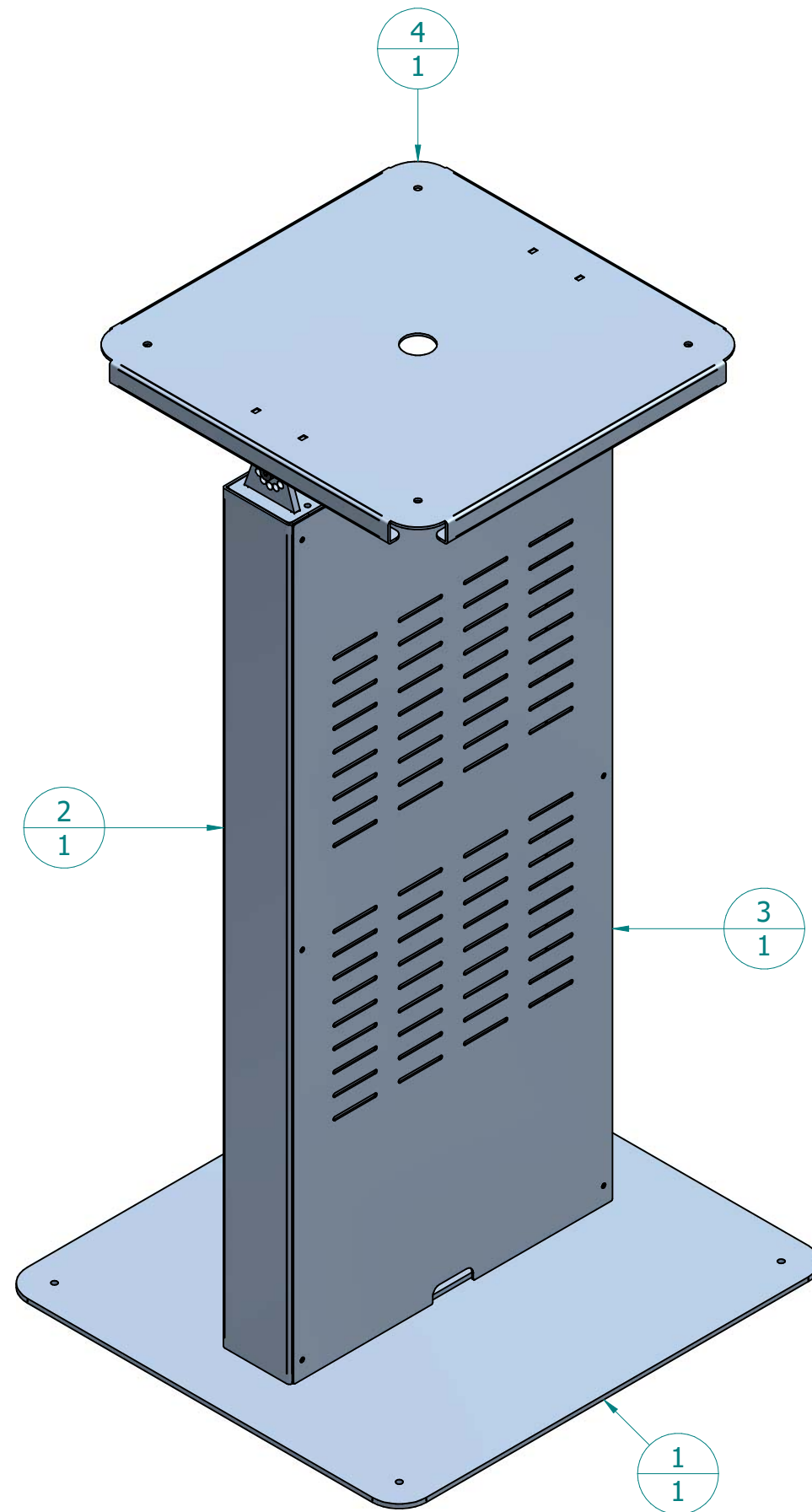


Rev.	Date of issue	Description	Sign
0001	01/07/2021	First edition	T.M.



Chamfers not indicated 0,5x45°	Roughness	General tolerances For linear dimensions: ±0,1 mm For angular dimensions: ISO 2768-m	Weight [kg] 57,62 kg	Scale 1/1	
Created by Trabucco Marco		Date of issue 01/07/2021			
<b>omb</b> TARGETED TO PROFESSIONALS		Title/Supplementary title Totem Leggio		Paper size A3	Sheet 1/2
Code name/File name Totem Leggio					

Rev.	Date of issue	Description	Sign
0001	01/07/2021	First edition	T.M.



8	Rondella plastica	Rondella plastica $\Phi 22 \times 10,5$ sp.2		2
7	7473_M8_Dado AB	dado M8 aut. alto	H.Nut M 8 with PA insert	2
6	7379_M8_10x20_GR	Vite Testa Cilindrica rett. M 8 $\Phi 10 \times 20$	H.S.H.C.Screws M 8 $\Phi 10 \times 20$	2
5	6592_M10_Rondella	Rondella M 10	Plain washer M 10	2
4	00667	Vesa leggjo saldata		1
3	00663	Chiusura colonna leggjo		1
2	00659	Colonna leggjo saldata		1
1	00658	Base leggjo		1
Ref	Code	Titolo	Commenti	Q.ty

Chamfers not indicated 0,5x45°	Roughness	General tolerances For linear dimensions: $\pm 0,1$ mm For angular dimensions: ISO 2768-m	Weight [kg] 57,62 kg	Scale 1/1	
Created by <b>omb</b> TARGETED TO PROFESSIONALS		Title/Supplementary title Totem Leggjo		Date of issue 01/07/2021	
Code name/File name Totem Leggjo			Paper size A3	Sheet 2\2	