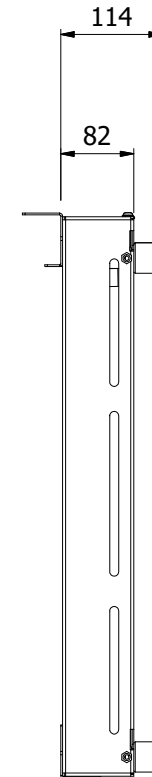
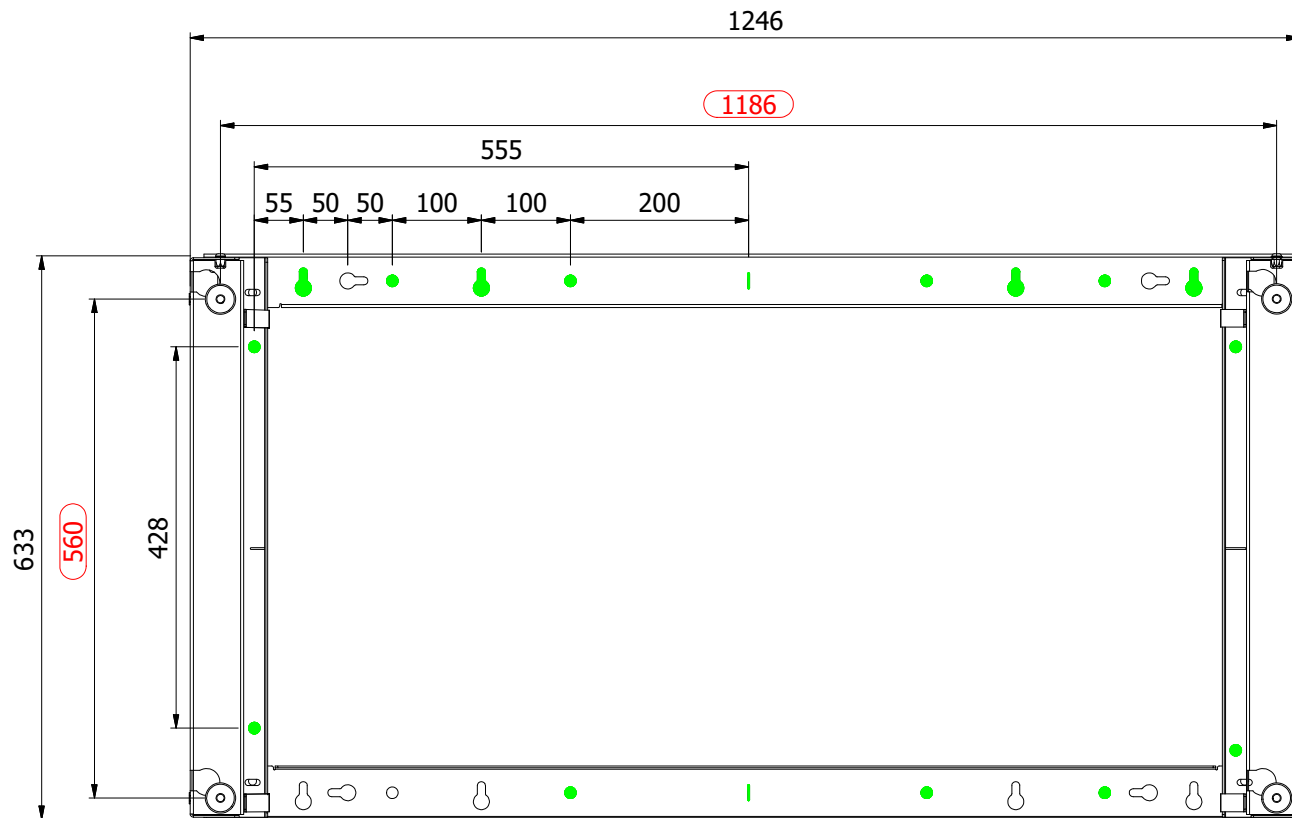


# LG 55XE4F WALLMOUNT (PORTRAIT / LANDSCAPE) - DIMENSIONS -

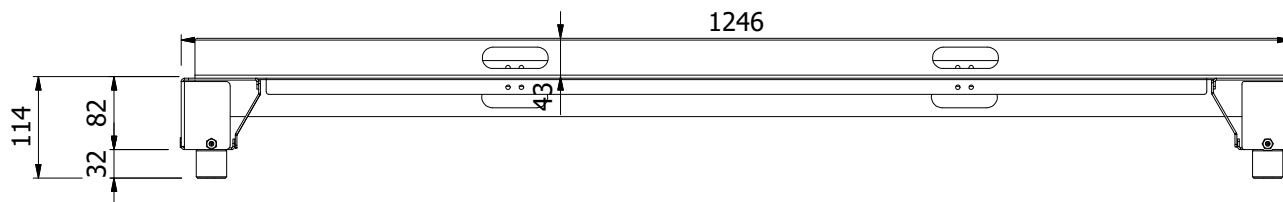
Rev. : 00 Date : 09/10/2019

Code : 5752LG

***MATERIAL: STAINLESS STEEL AISI 316***

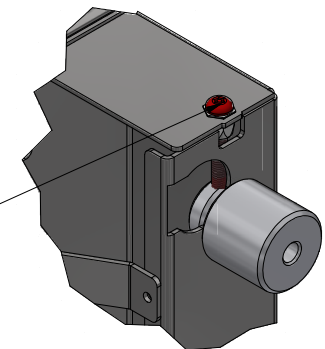


  
WEIGHT MAX LOAD: 63 KG



**The green holes must be used for the wall fixing**

N. 2 SAFETY AND ANTI-THEFT SCREWS



Detail A