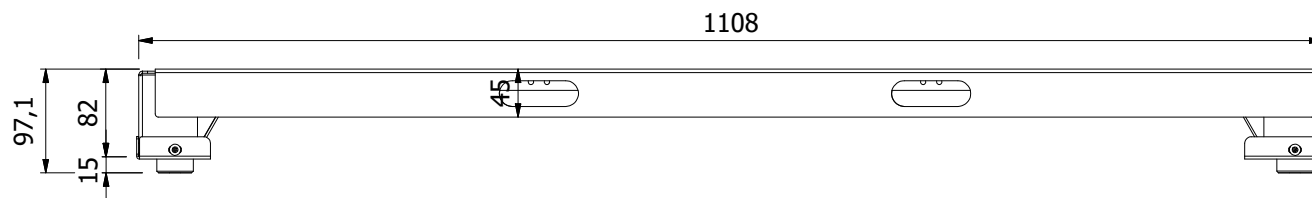
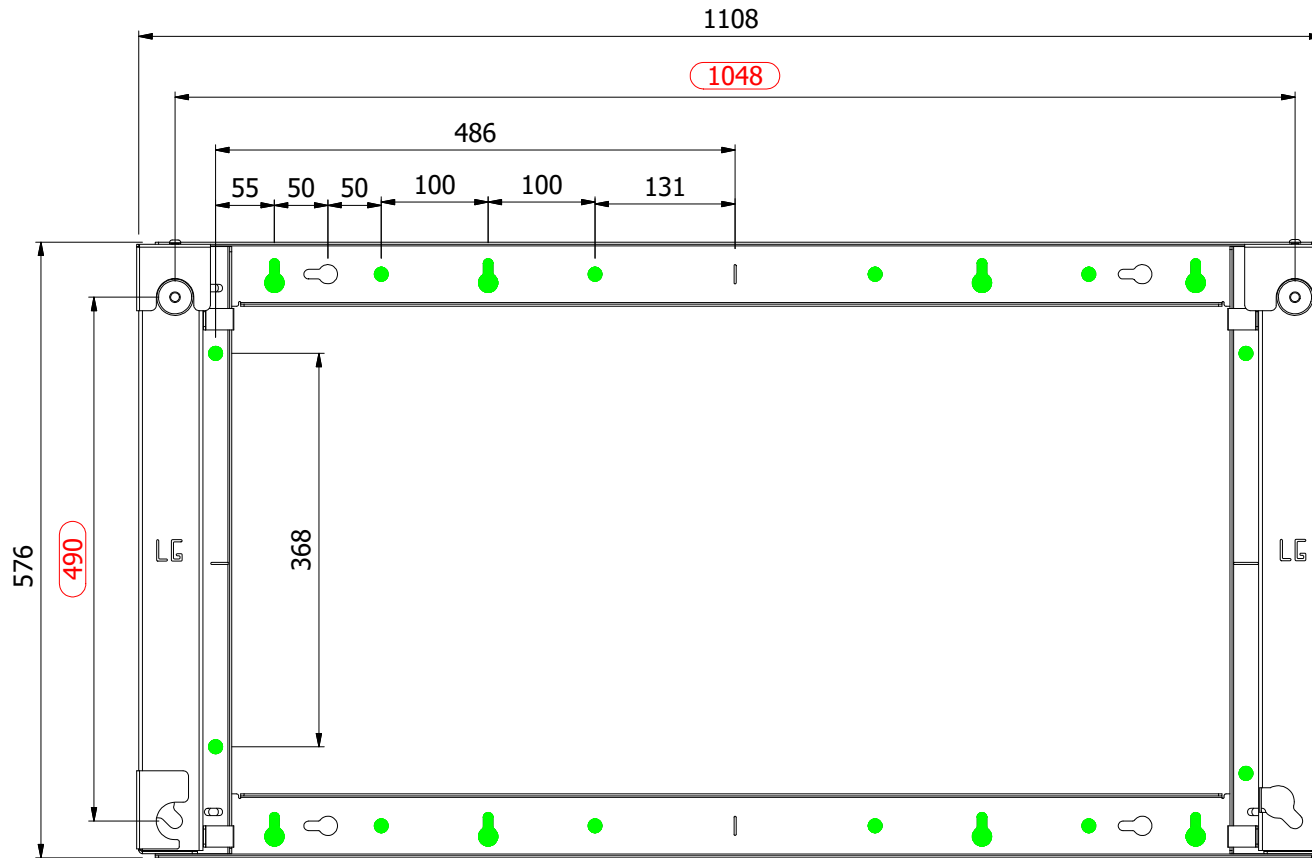


LG 49XE4F WALLMOUNT (PORTRAIT / LANDSCAPE) - DIMENSIONS -

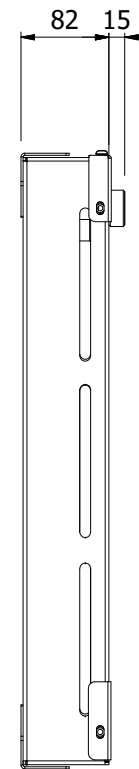
Rev. : 01 Date : 09/10/2019

Code : 6120

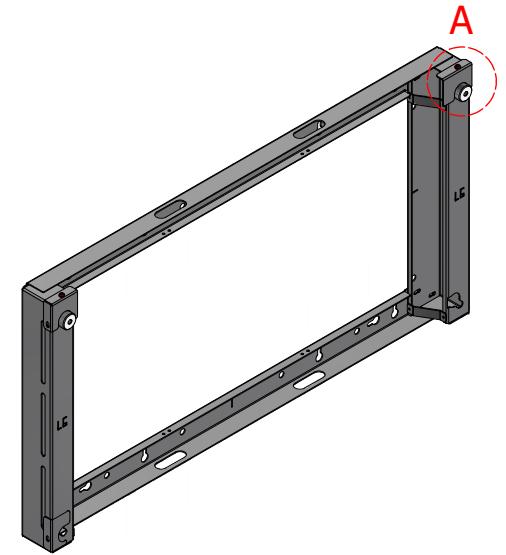


The green holes must be used for the wall fixing

MATERIAL: STAINLESS STEEL AISI 316




WEIGHT MAX LOAD: 40 KG



Detail A

N.2 SAFETY AND ANTI-THEFT SCREWS

